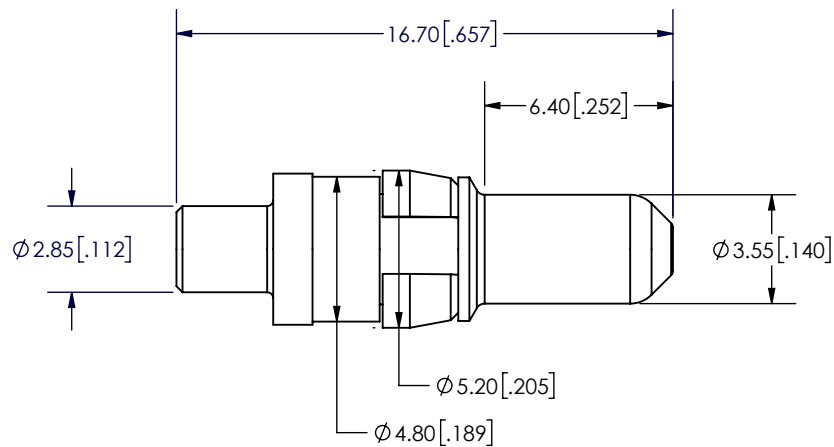


2

1

B

B



NOTES:

ELECTRICAL CHARACTERISTICS:

Resistance: 2.7 m ohm max.

Max. Current: 20 Amps.

MECHANICAL CHARACTERISTICS:

Insertion Force: 5 N max.

Withdrawal Force: 0.60 N min.

ENVIROMENTAL:

Temperature Range: -55°C to +125°C

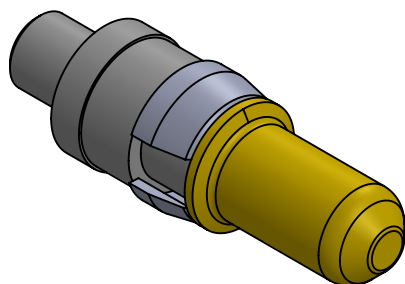
MATERIALS:

Contact: Copper Alloy, Gold Plated level 1

Retaining Clip: Brass, Ni Plated

A

A



UNLESS OTHERWISE SPECIFIED:		NAME	DATE	ECS www.ecsconn.com
DIMENSIONS ARE IN mm TOLERANCES:		DRAWN CT	DATE 4/02	
PROPRIETARY AND CONFIDENTIAL THE INFORMATION CONTAINED IN THIS DRAWING IS THE SOLE PROPERTY OF ECS. ANY REPRODUCTION IN PART OR AS A WHOLE WITHOUT THE WRITTEN PERMISSION OF ECS IS PROHIBITED.		CHECKED		TITLE: HIGH CURRENT CONTACT 20 AMP, STRAIGHT PCB TERMINATION
		ENG APPR.		
		MFG APPR.		
		COMMENTS:		
SIZE	PART NUMBER:	REV		
A	55-1P-218-1	A		
SCALE: NONE			SHEET 1 OF 1	

2

1