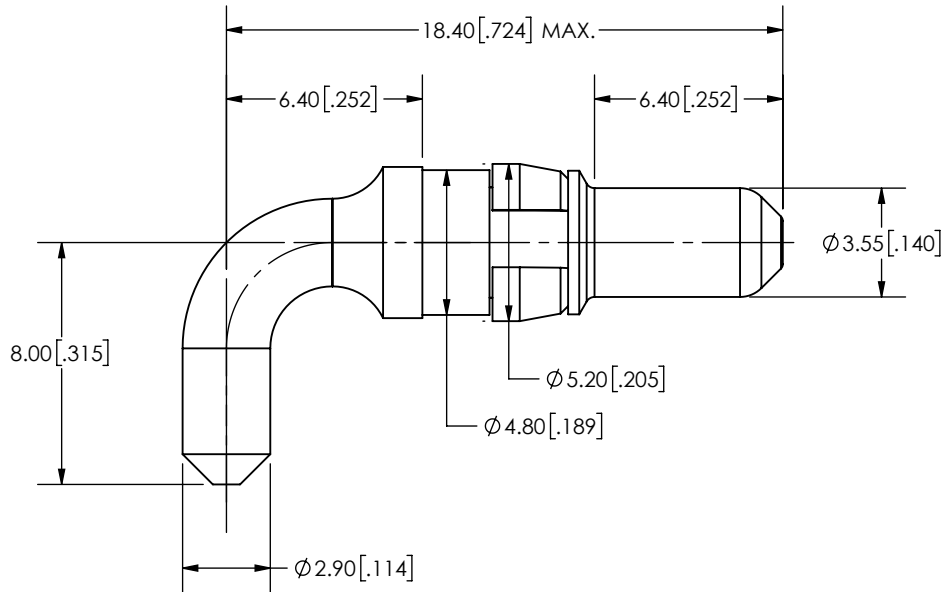


2

1



NOTES:

ELECTRICAL CHARACTERISTICS:

Resistance: 2.7 m ohm max.

Max. Current: 20 Amps.

MECHANICAL CHARACTERISTICS:

Insertion Force: 5 N max.

Withdrawal Force: 0.60 N min.

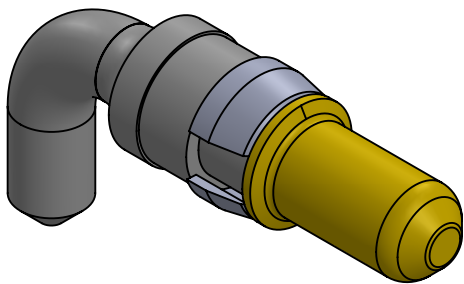
ENVIRONMENTAL:

Temperature Range: -55°C to +125°C

MATERIALS:

Contact: Copper Alloy, Gold Plated level 1

Retaining Clip: Brass, Ni Plated



UNLESS OTHERWISE SPECIFIED:

DIMENSIONS ARE IN mm
TOLERANCES:

PROPRIETARY AND CONFIDENTIAL

THE INFORMATION CONTAINED IN THIS
DRAWING IS THE SOLE PROPERTY OF
ECS. ANY REPRODUCTION IN PART OR
AS A WHOLE WITHOUT THE WRITTEN
PERMISSION OF ECS IS PROHIBITED.

	NAME	DATE
DRAWN	CT	4/02
CHECKED		
ENG APPR.		
MFG APPR.		

COMMENTS:

ECS

www.ecsconn.com

TITLE:

HIGH CURRENT CONTACT
20 AMP, RIGHT ANGLE PLUG

SIZE

A

PART NUMBER:

55-1P-203-1

REV

A

SCALE: NONE

SHEET 1 OF 1

2

1