

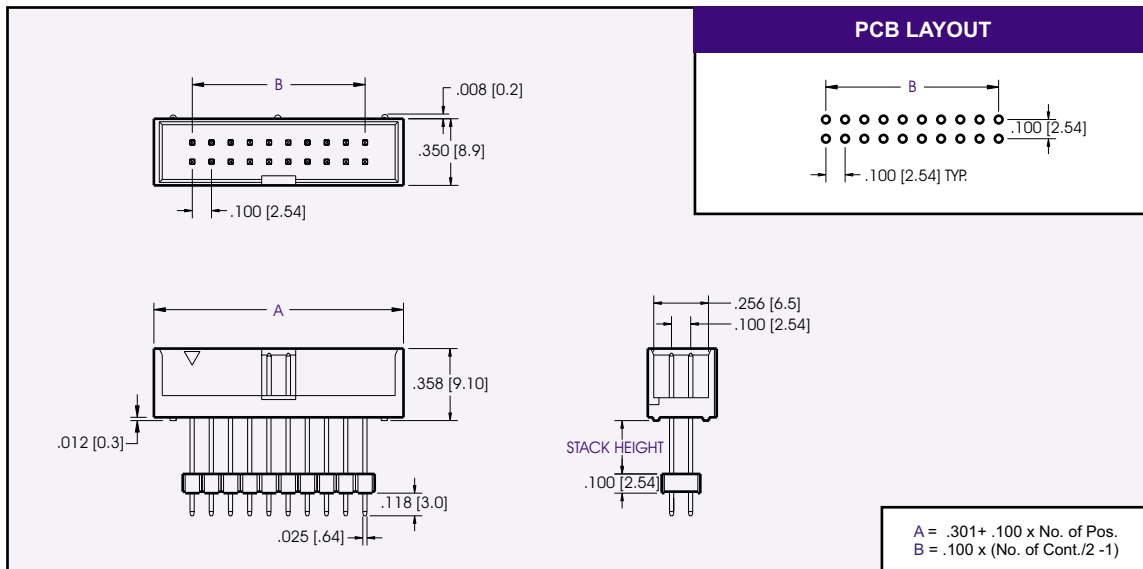
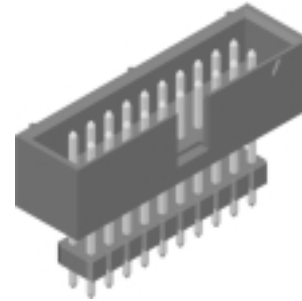


# 9300 Series Headers

## .100 [2.54] Elevated Box Header

### Specifications

Insulator Material: Glass filled polyester, Type PBT,  
 94V-O, UL Recognized.  
 Contact Material: Copper Alloy  
 Contact Plating: Gold and/or Tin over .000050" Ni  
 (See plating options).  
 Insulation Resistance: 5000 M ohms min.  
 Dielectric Withstand Voltage: 1000 VAC  
 Current Rating: 3 AMPS  
 Operating Temperature: -40°C To +105°C  
 UL File Numbers: E146967 & E176234

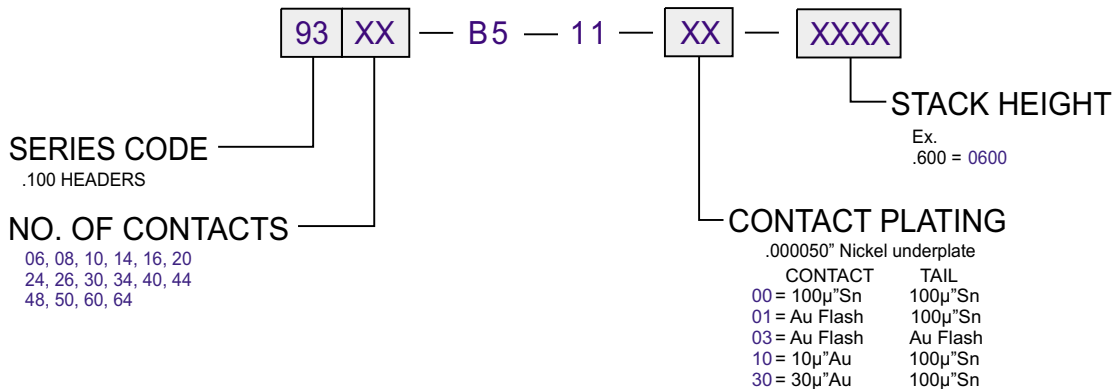


ALL DIMENSIONS ARE IN INCHES [MM]

**SUGGESTED MATING CONNECTORS**

93XXS-GX-XX-XX (F-49)
92XXS-XXX-XX (F-51)

### PART NUMBERING



CONSULT FACTORY FOR CONNECTORS BUILT TO YOUR SPECIFICATION