

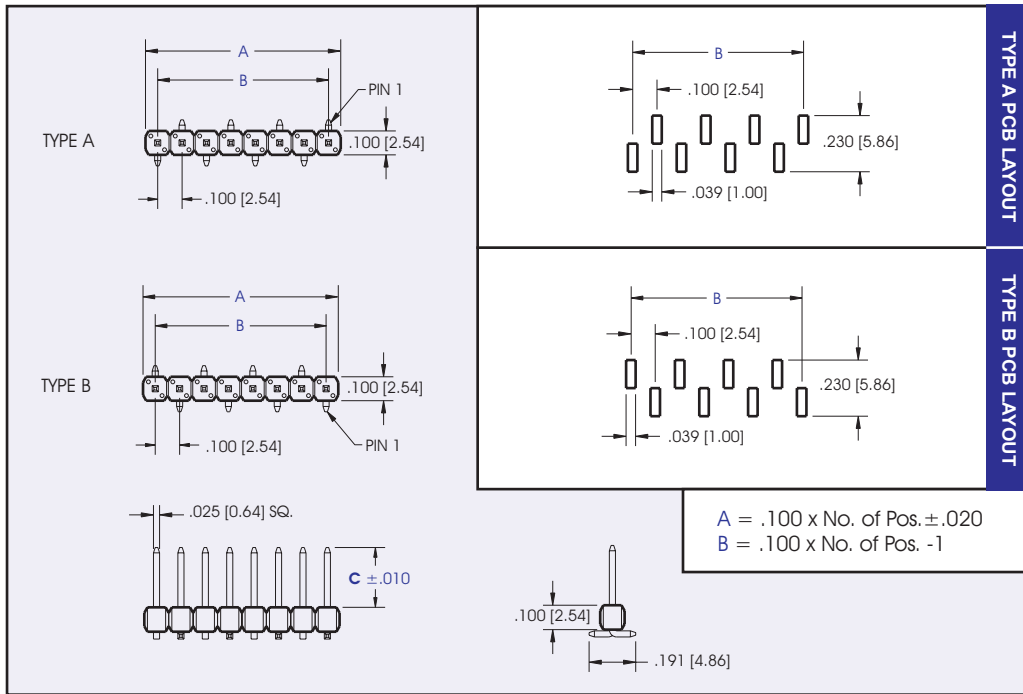
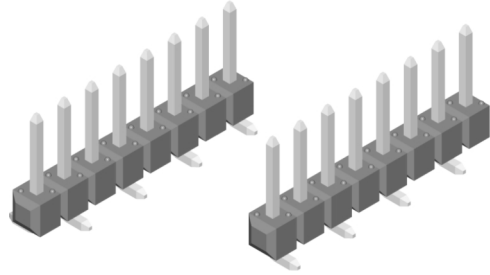


9300 Series Headers

.100 [2.54] Single Row SMT Headers

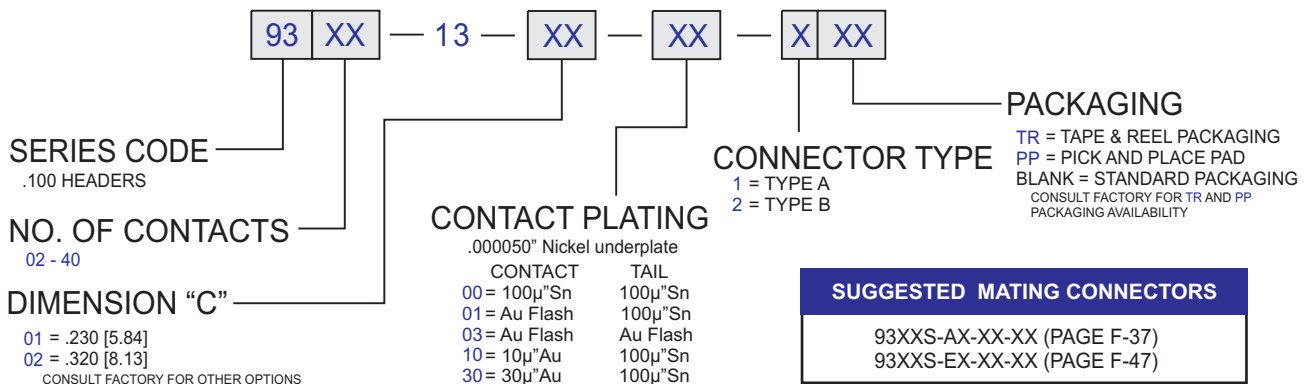
Specifications

Insulator Material: Glass filled polyester, Type PBT,
94V-O Nylon-6T, UL Recognized.
Contact Material: Brass
Contact Plating: Gold and/or Tin over .000050" Ni
(See contact plating options).
Insulation Resistance: 5000 M ohms min.
Dielectric Withstand Voltage: 1000 VAC
Current Rating: 3 AMP
Max. Processing Temp.: 230°C for 30 seconds
Operating Temperature: -40°C To +125°C
UL File Numbers: E146967 & E176234



DIMENSIONS ARE IN INCHES [MM]

PART NUMBERING



CONSULT FACTORY FOR CONNECTORS BUILT TO YOUR SPECIFICATION