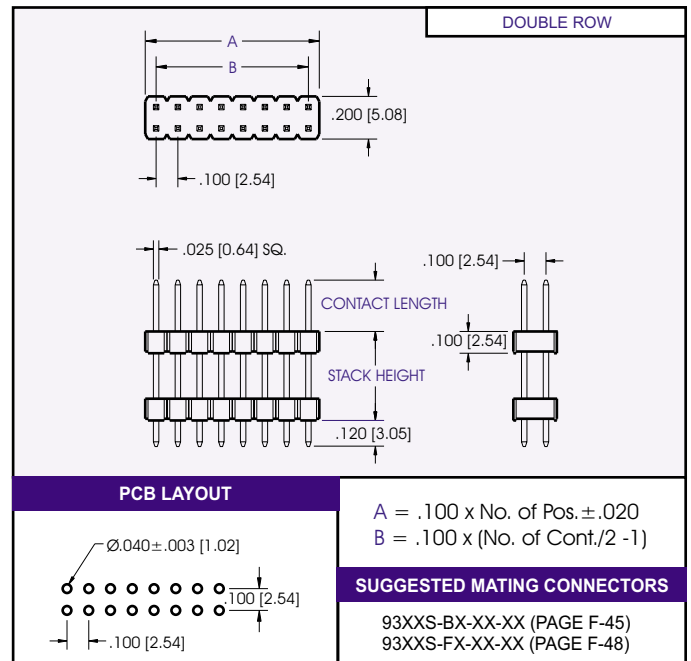
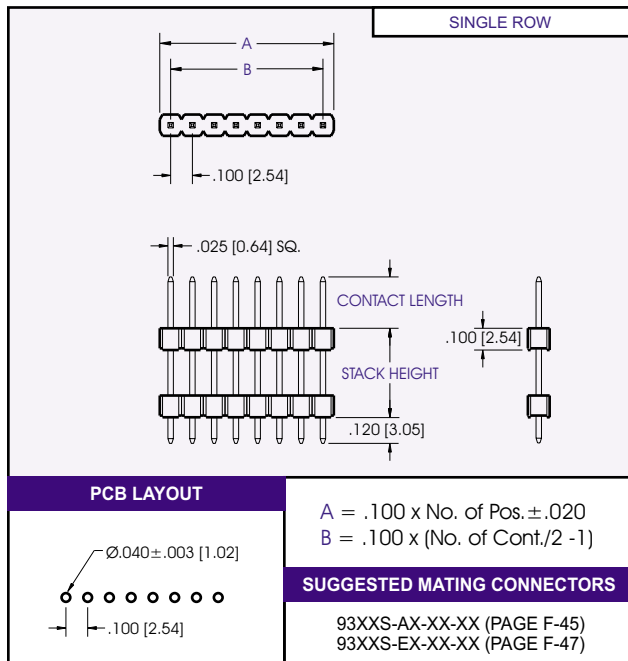
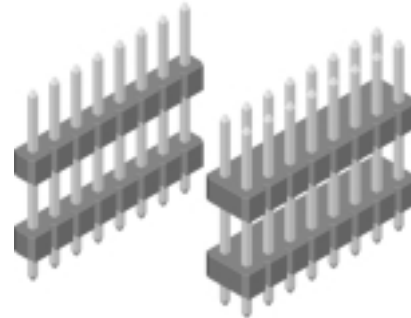




# 9300 Series Headers .100 [2.54] Stacking Headers

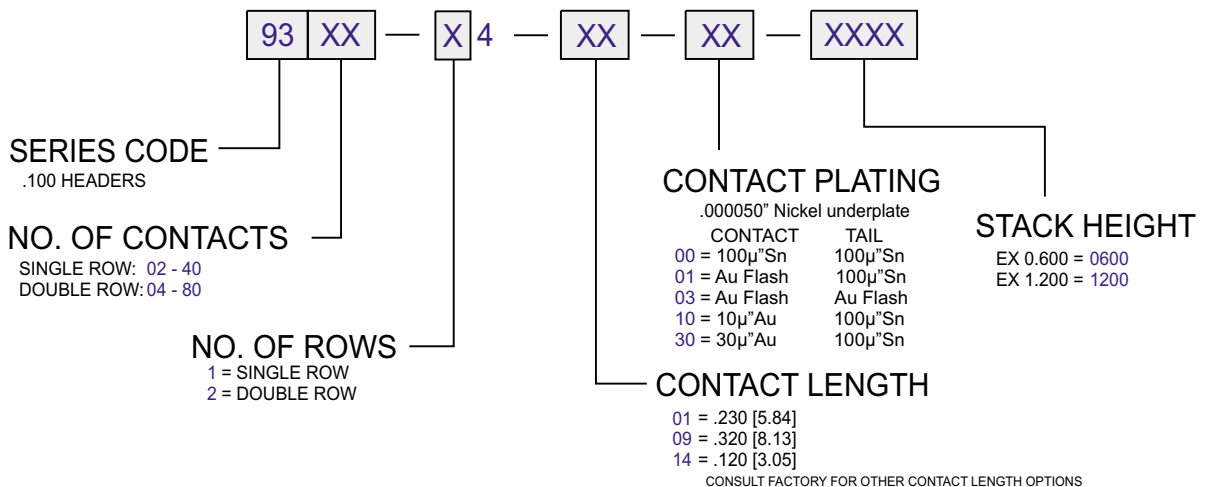
## Specifications

Insulator Material: Glass filled polyester, Type PBT,  
 94V-O, UL Recognized.  
 Contact Material: Copper Alloy  
 Contact Plating: Gold and/or Tin over .000050" Ni  
 (See contact plating options).  
 Insulation Resistance: 5000 M ohms min.  
 Dielectric Withstand Voltage: 1000 VAC  
 Current Rating: 3 AMPS  
 Operating Temp.: -40° to +105°C  
 UL File Numbers: E146967 & E176234



ALL DIMENSIONS ARE IN INCHES [MM]

## PART NUMBERING



CONSULT FACTORY FOR CUSTOM CONNECTORS BUILT TO YOUR SPECIFICATION