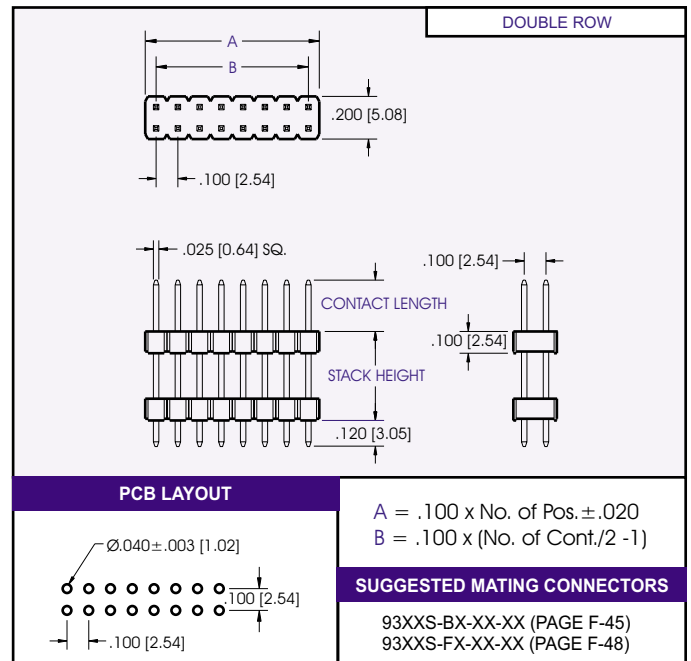
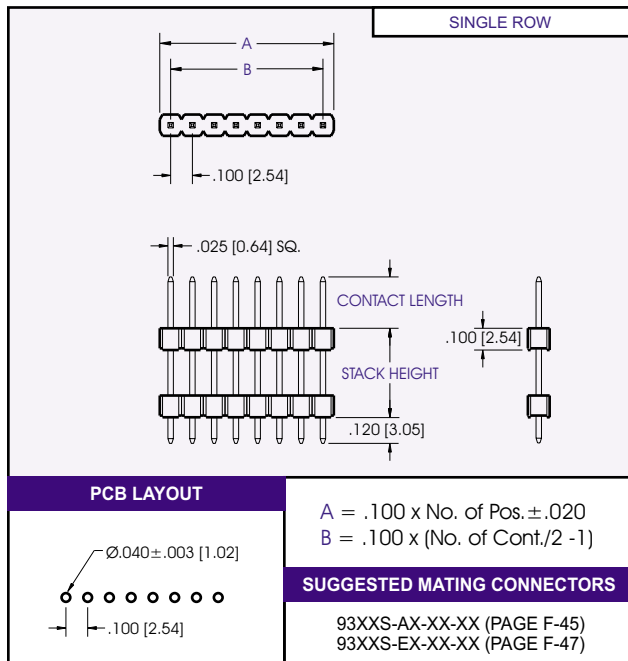
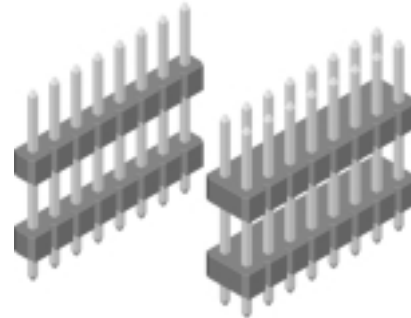




9300 Series Headers .100 [2.54] Stacking Headers

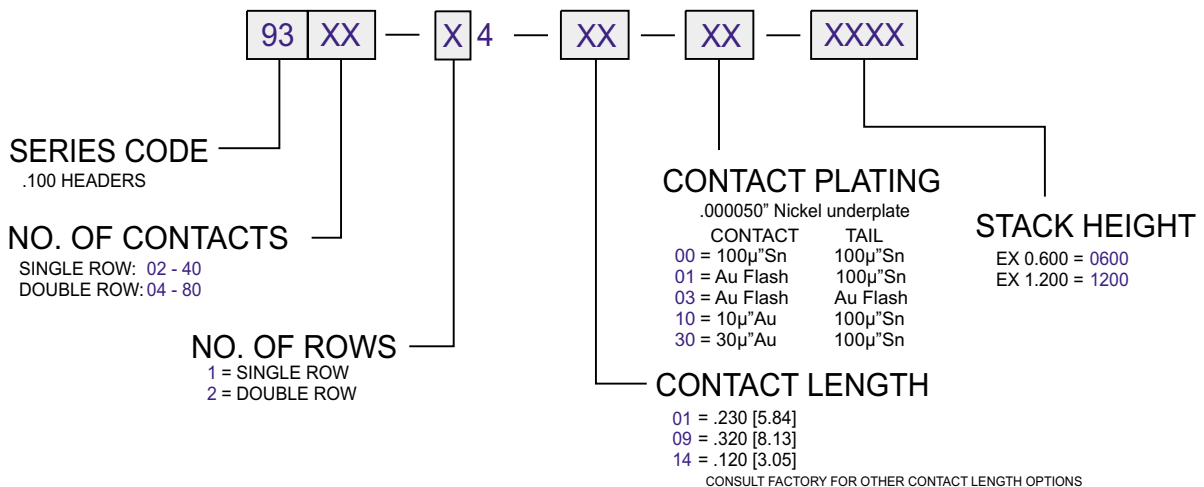
Specifications

Insulator Material: Glass filled polyester, Type PBT,
 94V-O, UL Recognized.
 Contact Material: Copper Alloy
 Contact Plating: Gold and/or Tin over .000050" Ni
 (See contact plating options).
 Insulation Resistance: 5000 M ohms min.
 Dielectric Withstand Voltage: 1000 VAC
 Current Rating: 3 AMPS
 Operating Temp.: -40° to +105°C
 UL File Numbers: E146967 & E176234



ALL DIMENSIONS ARE IN INCHES [MM]

PART NUMBERING



CONSULT FACTORY FOR CUSTOM CONNECTORS BUILT TO YOUR SPECIFICATION