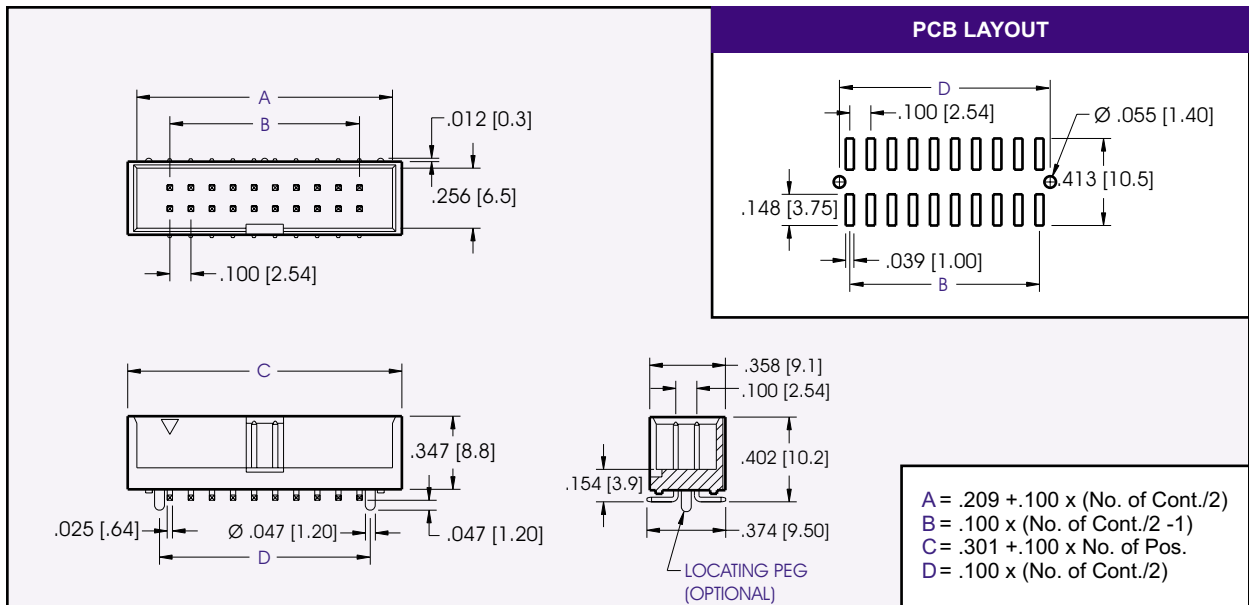
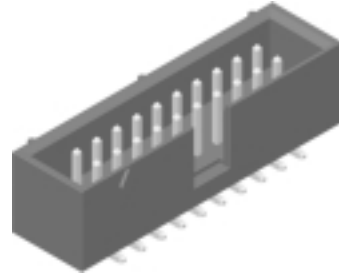




# 9300 Series Headers .100 [2.54] SMT Box Header

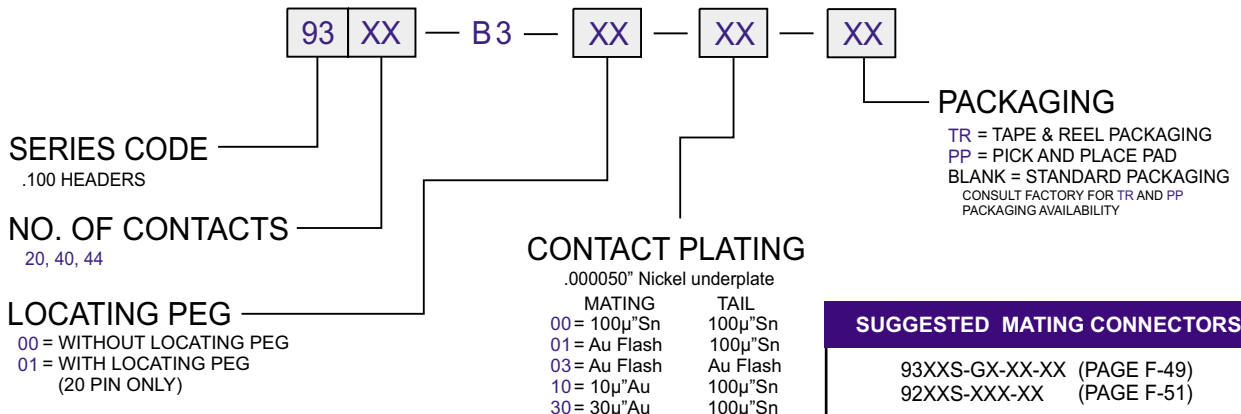
## Specifications

Insulator Material: Glass filled polyester, Thermoplastic,  
94V-O Nylon-6T, UL Recognized.  
Contact Material: Copper Alloy  
Contact Plating: Gold and/or Tin over .000050" Ni  
(See contact plating options).  
Insulation Resistance: 5000 M ohms min.  
Dielectric Withstand Voltage: 1000 VAC  
Current Rating: 3 AMPS  
Operating Temperature: -40°C To +105°C  
Max. Operating Temp.: 230°C for 60 seconds  
UL File Numbers: E146967 & E176234



ALL DIMENSIONS ARE IN INCHES [MM]

## PART NUMBERING



CONSULT FACTORY FOR CONNECTORS BUILT TO YOUR SPECIFICATION