

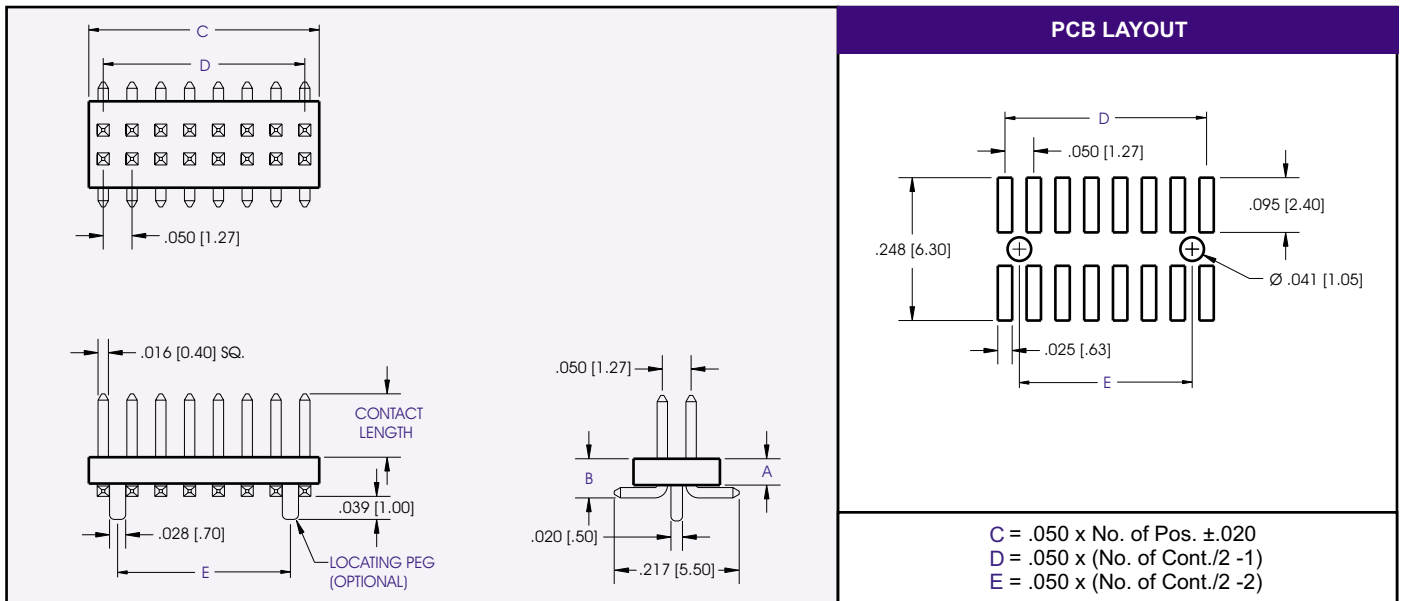
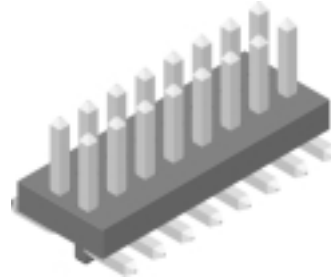


9600 Series Headers

.050 x .050 SMT Header

Specifications

Insulator Material: Glass filled polyester, Thermoplastic,
94V-O Nylon-6T, UL Recognized.
Contact Material: Copper Alloy
Contact Plating: Gold or Tin over .000050" Ni
(See contact plating options).
Insulation Resistance: 5000 M ohms min.
Dielectric Withstand Voltage: 500 VAC
Current Rating: 1 AMP
Operating Temperature: -40°C To +105°C
Max Processing Temp.: 230°C for 60 seconds
UL File Numbers: E146967 & E176234

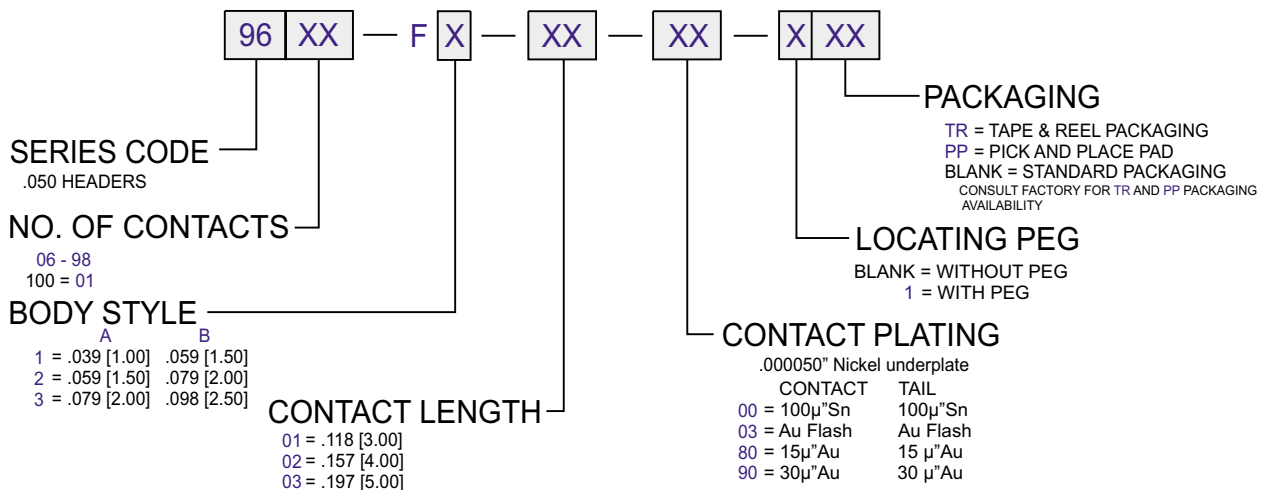


DIMENSIONS ARE IN INCHES & [MM]

SUGGESTED MATING CONNECTORS

96XXS-DX-XX-XX-XX (PAGE F-19)
 96XXS-EX-XX-XX-XX (PAGE F-20)

PART NUMBERING



CONSULT FACTORY FOR CONNECTORS BUILT TO YOUR SPECIFICATION