

# .079 [2.00] HEADER, HORIZONTAL



## Specifications

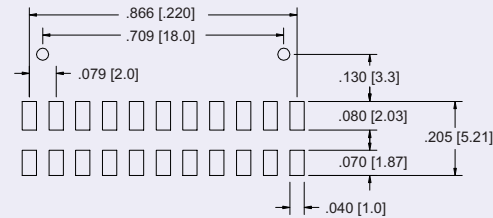
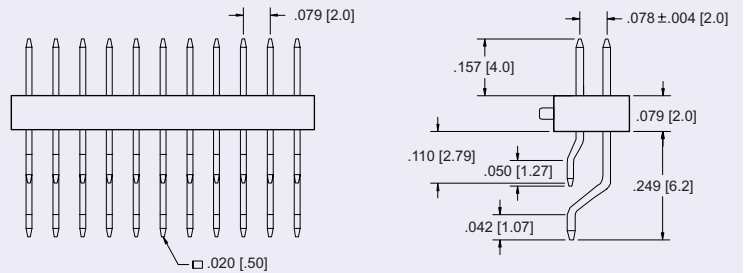
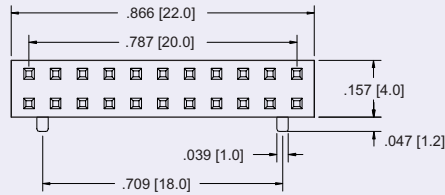
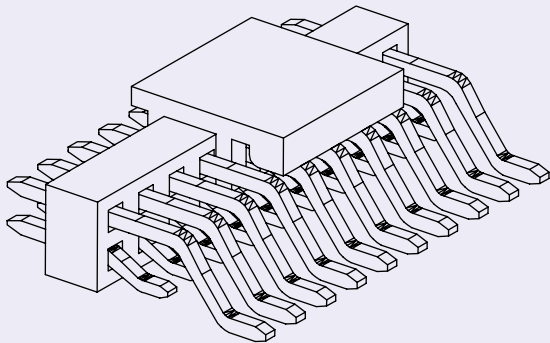
Current Rating: 1 Amps  
 Insulator Resistance: 5000 Megohms min  
 Dielectric Withstanding: AC 500V  
 Operating Temperature: -40° ~± 105° C  
 Contact Material: Copper Alloy  
 Insulator Material: Polyester, UL 94V-0 Nylon-6T  
 Finish: See Contact Plating



Recognized under the recognized component Program of Underwriters Laboratories, Inc.

Products specifications are subject to be changed without notice.

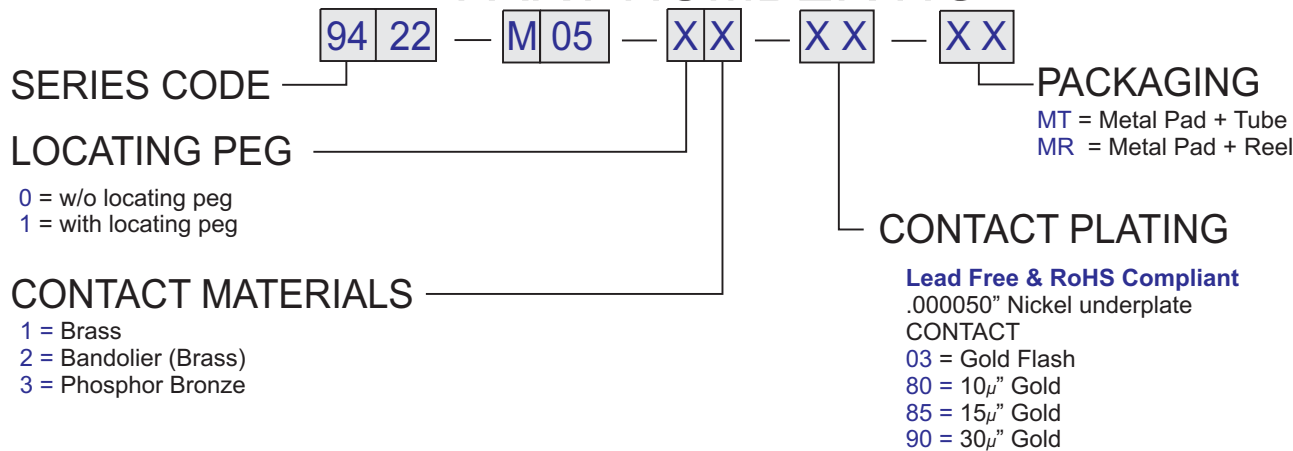
For drawings, technical data or samples, contact E.C.S. at (714) 895-6351



Recommended P.C.B Layout

Dimensions are in inches [mm]

## PART NUMBERING



CONSULT FACTORY FOR CONNECTORS BUILT TO YOUR DESIGN