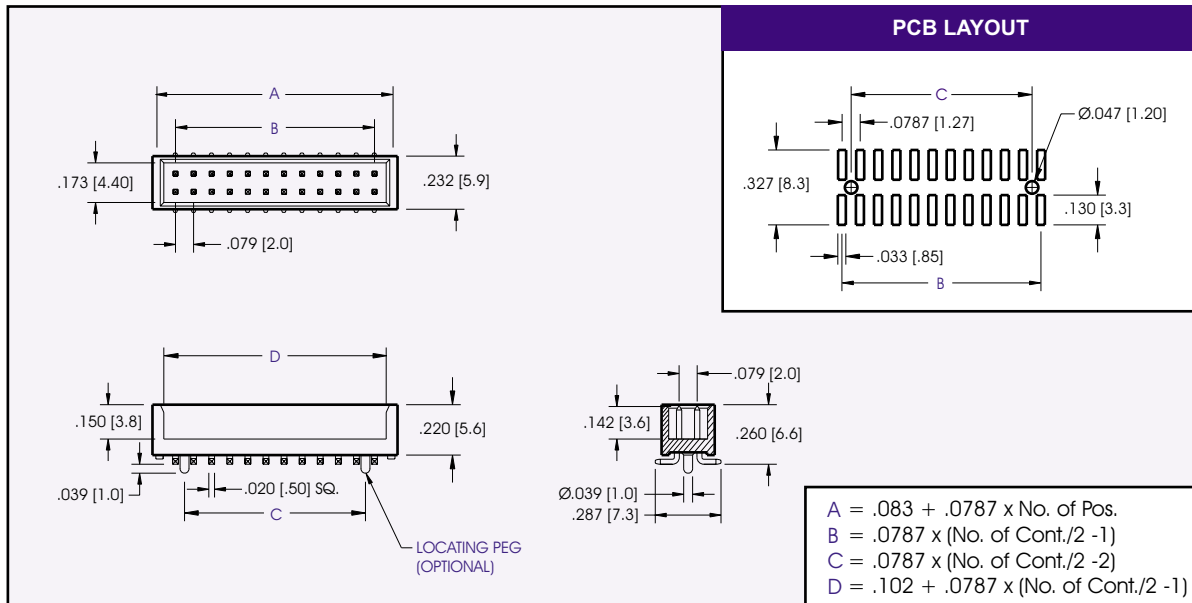
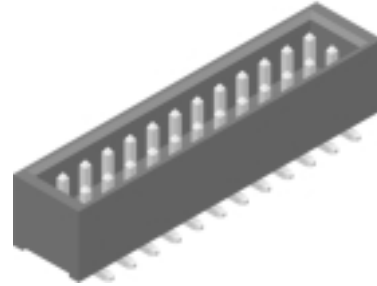




9400 Series Headers .079 [2.00] SMT Box Header

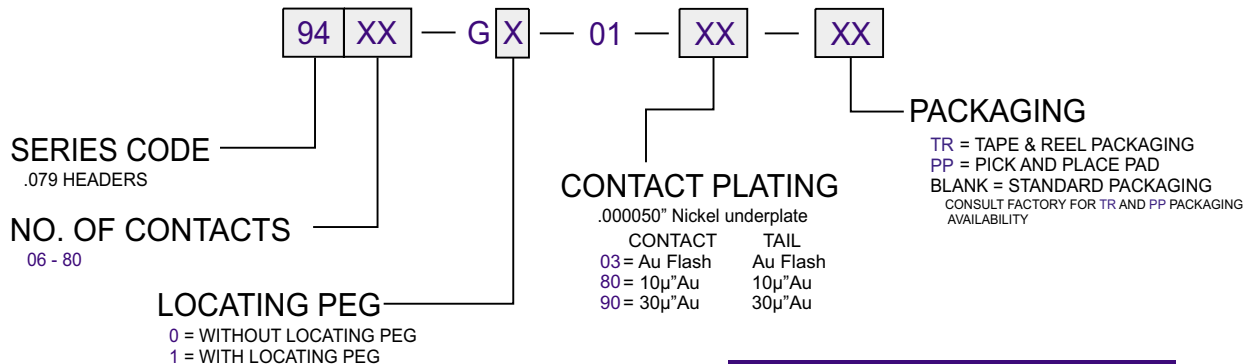
Specifications

Insulator Material: Glass filled polyester, Thermoplastic,
 94V-O Nylon-6T, UL Recognized.
 Contact Material: Copper Alloy
 Contact Plating: Gold over .000050" Ni
 (See contact plating options)
 Insulation Resistance: 5000 M ohms min.
 Dielectric Withstand Voltage: 500 VAC
 Current Rating: 1 AMP
 Operating Temperature: -40°C To +105°C
 Max. Processing Temp.: 230°C for 60 seconds
 UL File Numbers: E146967 & E176234



DIMENSIONS ARE IN INCHES & [MM]

PART NUMBERING



SUGGESTED MATING CONNECTORS

94XXS-DX-XX-XX (PAGE F-31)
 94XXS-FX-XX-XX (PAGE F-33)

CONSULT FACTORY FOR CUSTOM CONNECTORS BUILT TO YOUR SPECIFICATION