

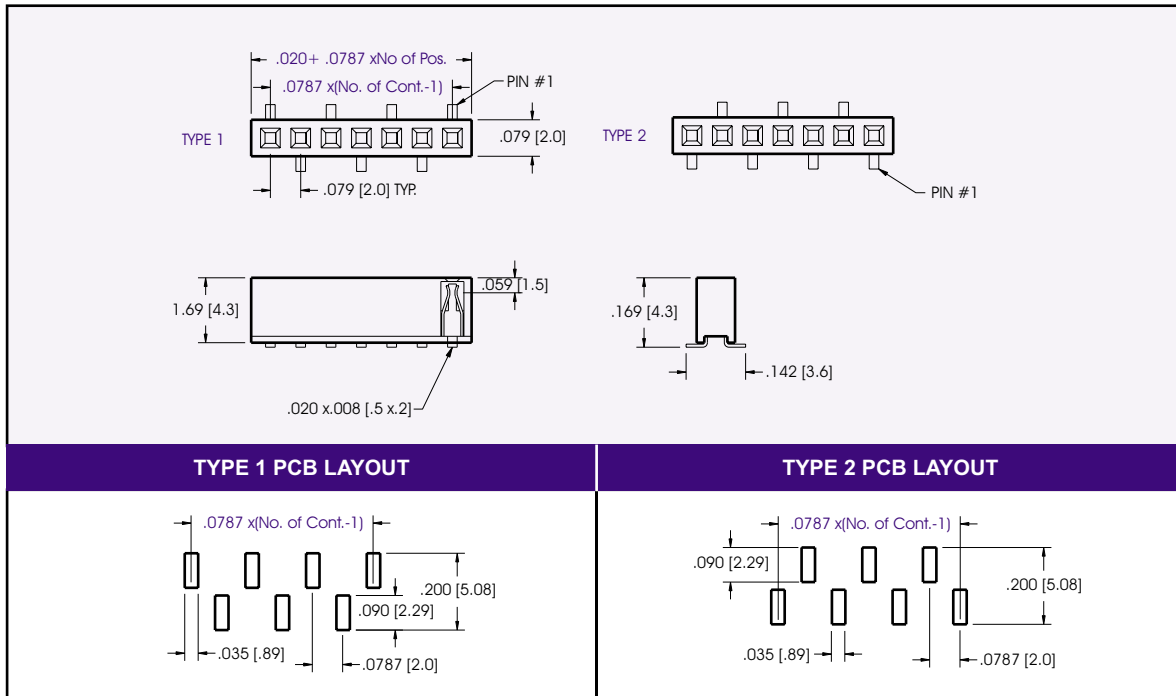
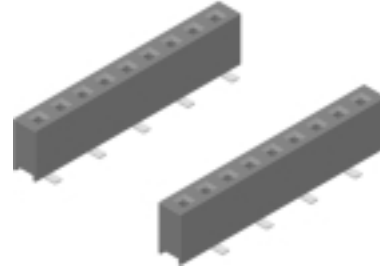


# 9400S Series Sockets

## .079 [2.00] SMT Socket

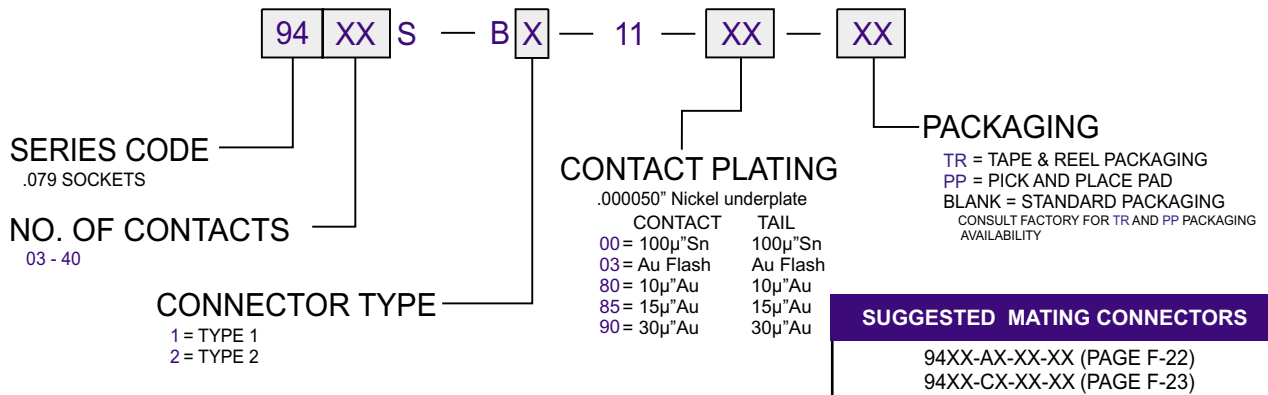
### Specifications

Insulator Material: Glass filled polyester, Thermoplastic,  
94-VO Nylon-6T, UL Recognized.  
Contact Material: Phosphor Bronze  
Contact Plating: Gold or Tin over .000050" Ni  
(See contact plating options).  
Insulation Resistance: 5000 M ohms min.  
Dielectric Withstand Voltage: 500 VAC  
Current Rating: 1 AMP  
Operating Temperature: -40°C To +105°C  
Contact Resistance: 20 m ohms max.  
Max Processing Temp.: 230°C for 60 seconds  
UL File Numbers: E146967 & E176234



DIMENSIONS ARE IN INCHES & [MM]

### PART NUMBERING



CONSULT FACTORY FOR CONNECTORS BUILT TO YOUR SPECIFICATION