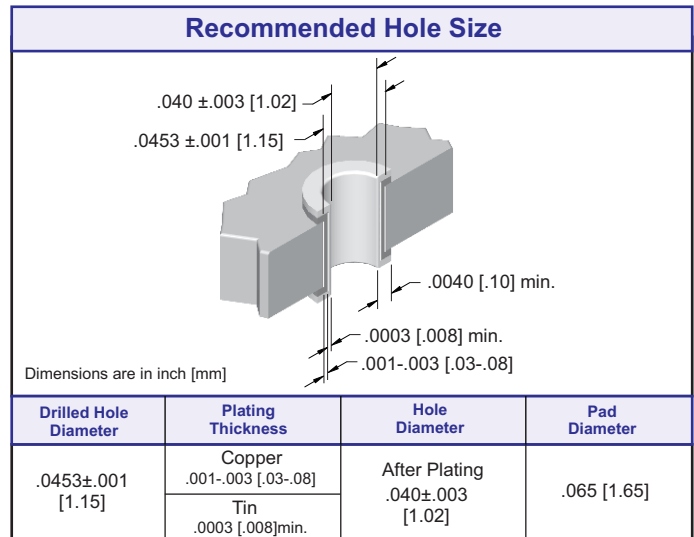


Specifications

Insulator Material: Thermoplastic, color natural (brown)
 94 V-O, UL Rated.
Contact Material: Copper Alloy
Contact Plating: Gold and/or Tin over .000050" Nickel,
 (See Contact Plating Options).
Current Range at Ambient Temp. Of
 +20C = 3 amp
 +70C = 2 amp
 +100C = 1 amp
Contact Resistance:
 ≤ 20m Ω
Insulation Resistance:
 ≥ 10¹² m Ω at 100 VDC
Dielectric Strength:
 ≤ 1000 VDC
Compliant Section Insertion Force:
 40 lbs max per contact
Compliant Section Withdrawal Force:
 10 lbs min. per contact
Recommended Board Thickness:
 .093"+
Operating Temperature:
 -65°C to +125C



CONTACTS	A	B	C	D	E1 and E2
60 to 684	((# of Position/12-1) X 2.54 [0.100])	(A X 3) + 24.13 [0.950]	(A X 3) + 34.29 [1.350]	(A X 3) + 41.91 [1.650]	E1 A + 13.97 [0.475] E2 A + 10.16 [0.400]

APPROVALS



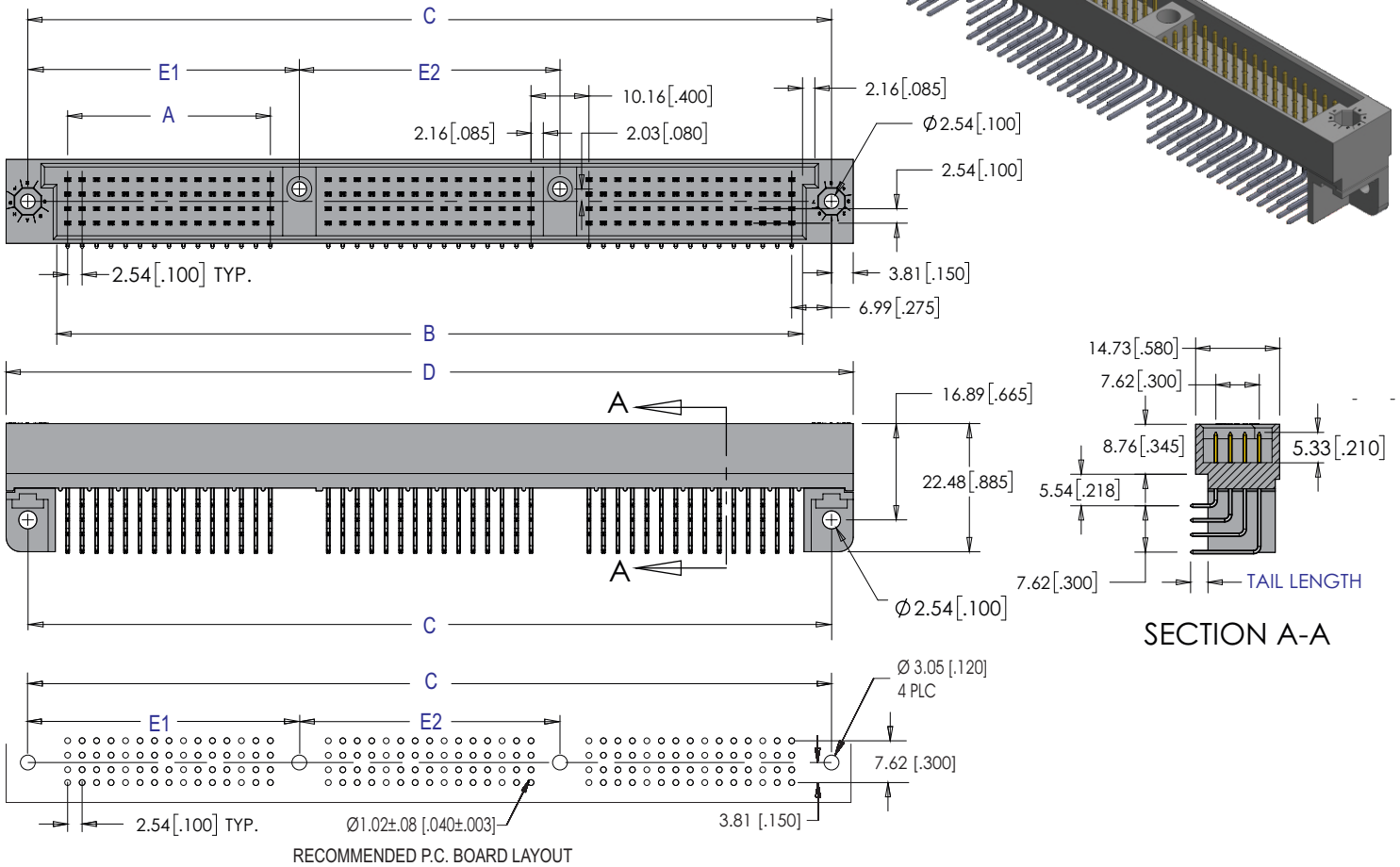
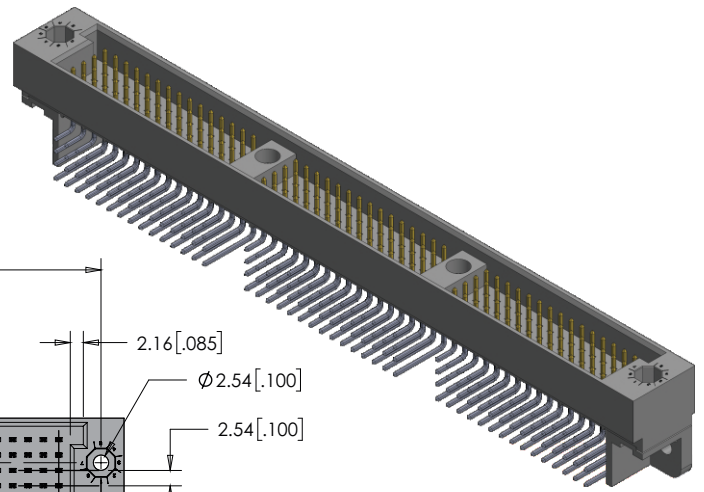
Recognized under the recognized component
 Program of Underwriters Laboratories, Inc.
 File Numbers: E176234

ISO 9001:2000 registered

Bellcore GRE 1217 CORE

Connectors are available that meet the requirements of Bellcore GRE-1217-CORE. Please consult factory for ordering information.

4 ROW HDI Male Right Angle Connector 3 Bay



PART NUMBERING

69 — K XXX X — 8 XXX — XX/XX/XX

SERIES CODE

Male HDI Right Angle

NUMBER OF ROW

K = 4 Row with 3 Bay

TOTAL CONTACT

60 to 684

CONTACT ARRANGEMENT

A = Row A, B, C and D fully populated

BAY CONTACT

BAY 1 / BAY 2 / BAY 3

60 to 684

TAIL PLATING

- 1 = Tin Lead
- 2 = Flash Au over 50µ" Ni (.200" from pin tip)
- 3 = 30µ" Au over 50µ" Ni (.200" from pin tip)
- 4 = 15µ" Au over 50µ" Ni (.200" from pin tip)
- 5 = Matte Tin

MATING AREA PLATING

- 1 = 30µ" Au over 50µ" Ni
- 2 = 15µ" Au over 50µ" Ni
- 3 = Flash Au over 50µ" Ni

TAIL LENGTH

- 1 = 3.05 [.120]
- 2 = 4.57 [.180]