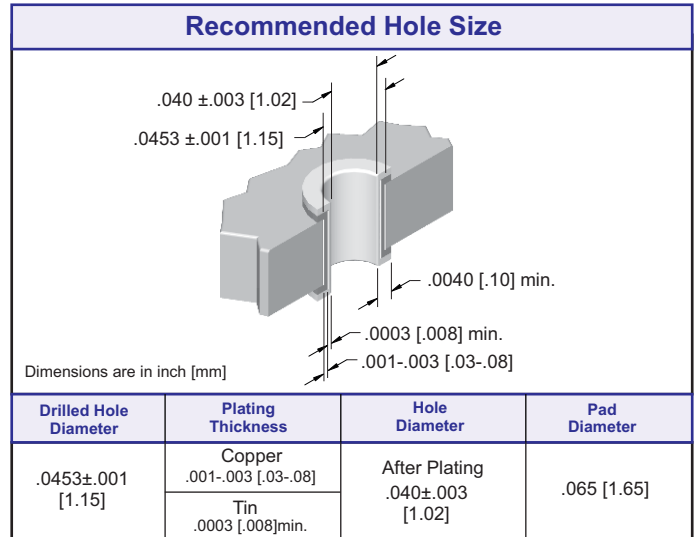


# 3 Row HDI Male Vertical 3 Bay



## Specifications

Insulator Material: Thermoplastic, color natural (brown)  
 94 V-O, UL Rated.  
 Contact Material: Copper Alloy  
 Contact Plating: Gold and/or Tin over .000050" Nickel,  
 (See Contact Plating Options).  
 Current Range at Ambient Temp. Of  
     +20C = 3 amp  
     +70C = 2 amp  
     +100C = 1 amp  
 Contact Resistance:  $\leq 20\text{m } \Omega$   
 Insulation Resistance:  $\geq 10^{12} \text{ m } \Omega$  at 100 VDC  
 Dielectric Strength:  $\leq 1000 \text{ VDC}$   
 Compliant Section Insertion Force: 40 lbs max per contact  
 Compliant Section Withdrawal Force: 10 lbs min. per contact  
 Recommended Board Thickness: .093"+  
 Operating Temperature: -65°C to +125C



CONTACTS	A	B	C	D	E1 and E2
45 to 513	((# of Position/9-1) X 2.54 [0.100])	(A X 3) + 24.13 [0.950]	(A X 3) + 34.29 [1.350]	(A X 3) + 41.91 [1.650]	<b>E1</b> A + 13.97 [0.475] <b>E2</b> A + 10.16 [0.400]

## APPROVALS

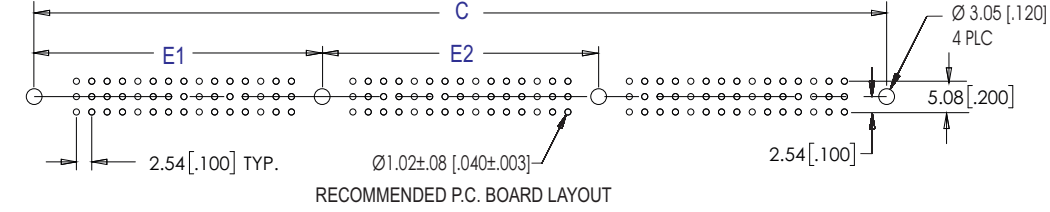
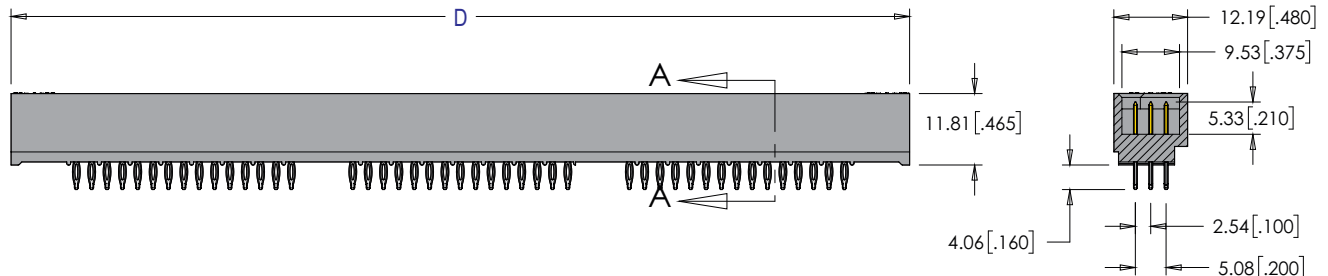
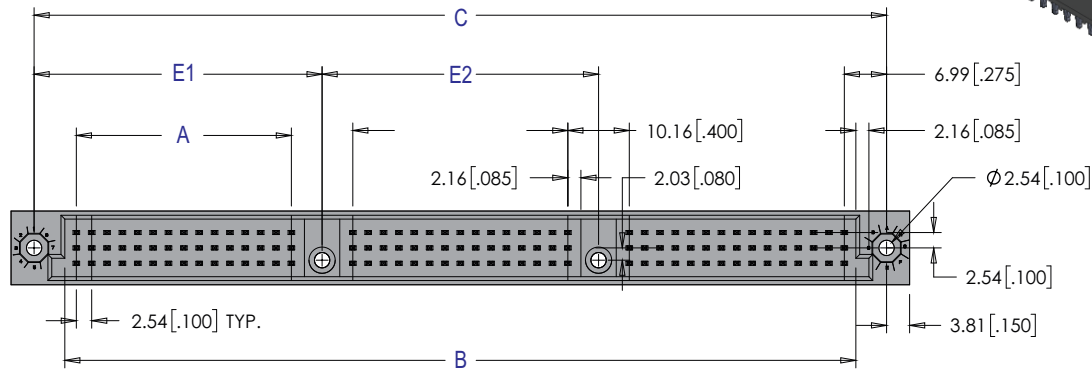
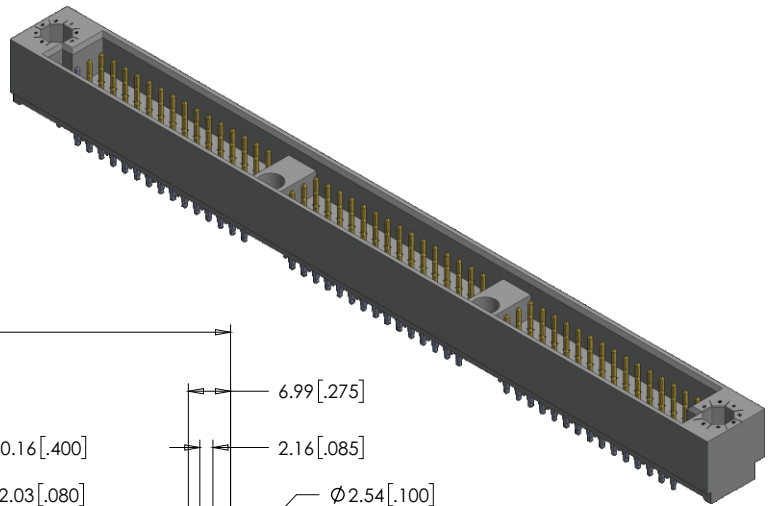


Recognized under the recognized component  
 Program of Underwriters Laboratories, Inc.  
 File Numbers: E176234

## Bellcore GRE 1217 CORE

Connectors are available that meet the requirements of Bellcore GRE-1217-CORE. Please consult factory for ordering information.

# 3 ROW HDI Male Vertical Connector 3 Bay



## PART NUMBERING



**SERIES CODE**

Male HDI Vertical

**NUMBER OF ROW**

G = 3 Row with 3 Bay

**TOTAL CONTACT**

45 to 513

**CONTACT ARRANGEMENT**

A = Row A, B and C fully populated

**BAY CONTACT**

BAY 1 / BAY 2 / BAY 3

45 to 513

**TAIL PLATING**

- 1 = Tin Lead
- 2 = Flash Au over 50µ" Ni (.200" from pin tip)
- 3 = 30µ" Au over 50µ" Ni (.200" from pin tip)
- 4 = 15µ" Au over 50µ" Ni (.200" from pin tip)
- 5 = Matte Tin

**MATING AREA PLATING**

- 1 = 30µ" Au over 50µ" Ni
- 2 = 15µ" Au over 50µ" Ni
- 3 = Flash Au over 50µ" Ni

**TAIL LENGTH**

- 0 = 6.35 [.250] Press-Fit
  - 1 = 4.57 [.180] Press-Fit
  - 2 = 12.70 [.500] Press-Fit
  - 3 = 16.51 [.650] Press-Fit
  - 4 = 20.57 [.810] Press-Fit
  - 5 = 25.40 [1.000] Press-Fit
  - 6 = 4.57 [.180] Dip Solder
- Consult factory for other tail length