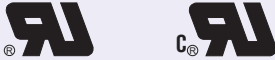


# .020 [0.50] SMT FPC BOTTOM CONTACTS

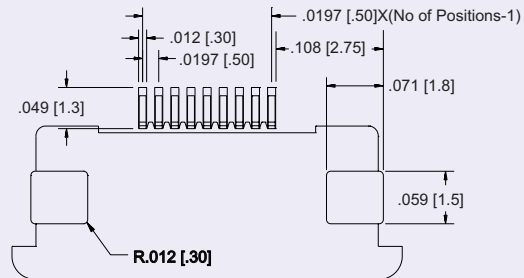
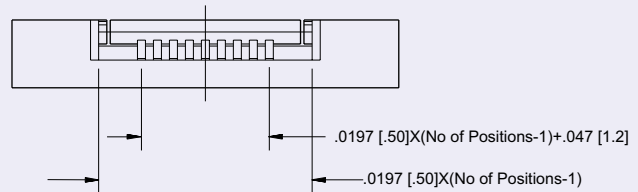
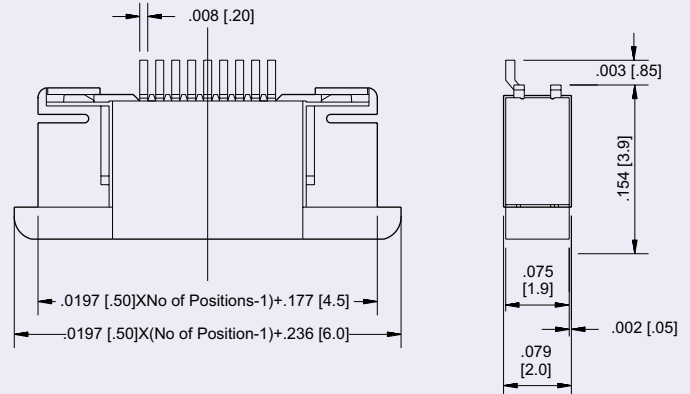
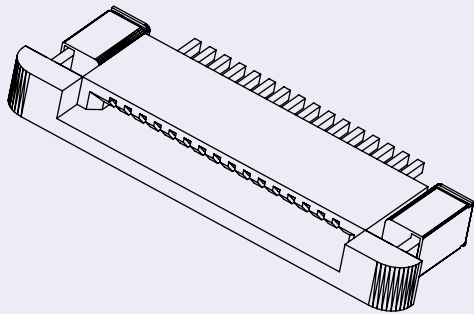


## Specifications

Current Rating: 0.3 Amps  
 Insulator Resistance: 100 Megohms min  
 Contact Resistance: 20m ohm max  
 Dielectric Withstanding: AC 250V  
 Operating Temperature: -25° ~± 85° C  
 Max Processing Temp: 230° C to 60 seconds  
 Contact Material: Copper Alloy  
 Insulator Material: High Temperature Thermoplastic. UL 94V-0 LCP, UL 94V-0



Recognized under the recognized component Program of Underwriters Laboratories, Inc.  
 Products specifications are subject to be changed without notice.



P.C. Board Recommended Layout

Dimensions are in inches [mm]

## PART NUMBERING



SERIES CODE

NO. OF CONTACTS

04 to 50

CONTACT PLATING

**Lead Free & RoHS Compliant**

.000050" Nickel underplate

CONTACT

70 = 100µ" Sn

CONSULT FACTORY FOR CONNECTORS BUILT TO YOUR DESIGN