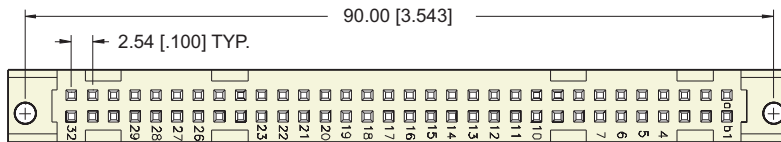
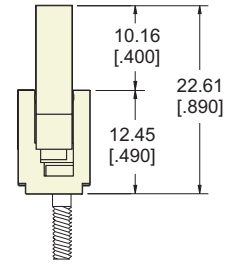
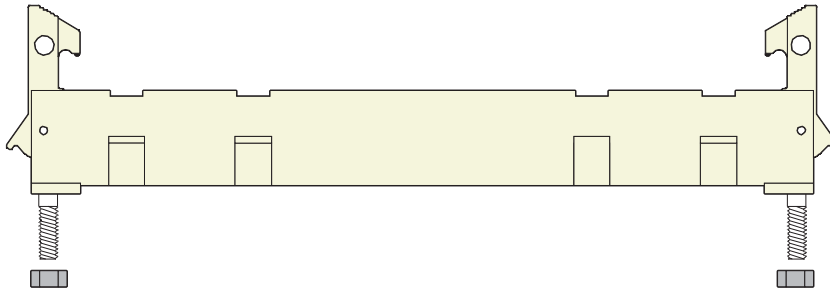
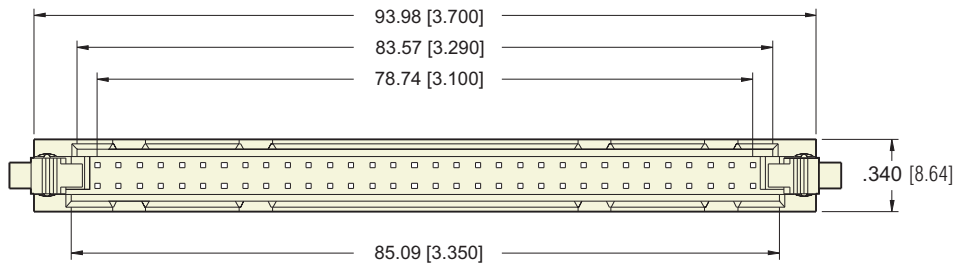
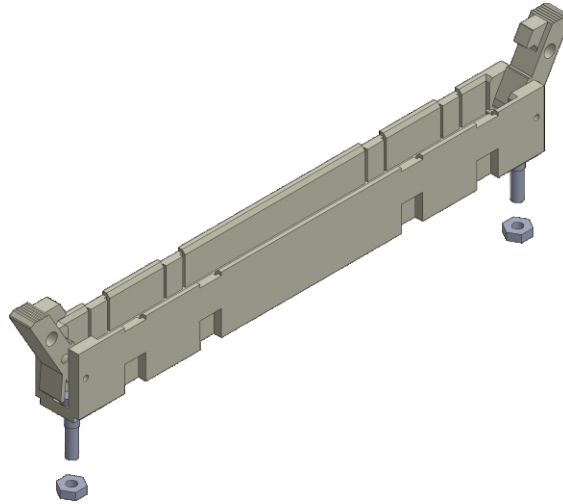


IDC SHROUD For Type B and Q DIN 41612



PART NUMBERING

6464 — X1

SERIES CODE

NO. CONTACT PAIRS

MATERIAL TYPE

1 = 32
2 = 16

1 = Glass filled Polyester
Type PBT, 94 V-0 Rated