



3300 Series Low Profile Card Edge Connector .156 [3.96] Contact Centers

Specifications

Insulator Material: Glass filled polyester, type PBT,
94 V-O, UL Rated.

Contact Material: Phosphor Bronze Alloy

Contact Plating: Gold and/or Tin over .000050" Nickel,
(See Contact Plating Options).

Current Rating: 5 amp at 30°C

Contact Resistance: Contact to Daughter Card:
10 m Ω

Insulation Resistance: 5000 M Ω

Dielectric Withstand Voltage: 1800 V AC

Daughter Board Insertion Force:
16 oz max. per contact pair
when tested with a .071" thick gage.

Daughter Board Withdrawal Force:
1 oz min. per contact pair
when tested with a .054" thick gage.

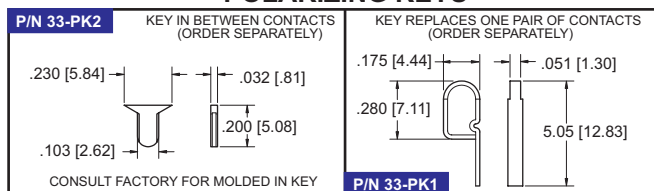


Recognized under the recognized component
Program of Underwriters Laboratories, Inc.
File Numbers: E146967 and E176234

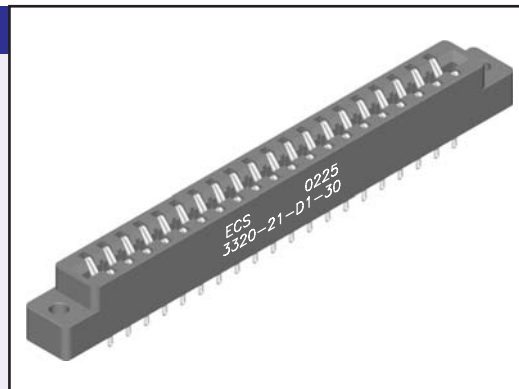
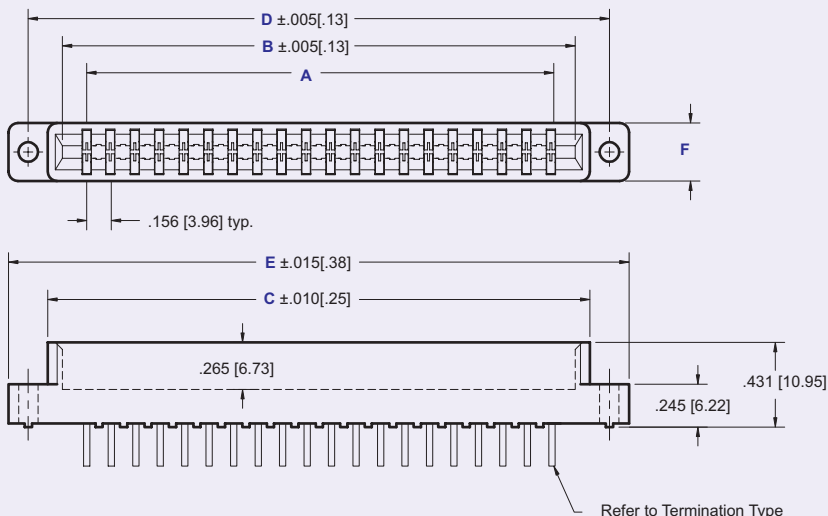
CONTACTS	A	B	C	D	E	F
2/4	.156 [3.96]	.476 [12.09]	.596 [15.14]			
3/6	.312 [7.92]	.632 [16.05]	.772 [19.10]			
6/12	.780 [19.81]	1.100 [27.94]	1.220 [30.99]	1.533 [38.94]	1.875 [47.63]	
8/16	1.092 [27.74]	1.412 [35.86]	1.532 [38.91]	1.845 [46.86]	2.187 [55.55]	
10/20	1.404 [35.66]	1.724 [43.79]	1.844 [46.84]	2.157 [54.79]	2.499 [63.47]	
11/22	1.560 [39.62]	1.880 [47.75]	2.000 [50.80]	2.313 [58.75]	2.655 [67.44]	
12/24	1.716 [43.59]	2.036 [51.71]	2.156 [54.76]	2.469 [62.71]	2.811 [71.40]	.325 [8.26]
15/30	2.184 [55.47]	2.504 [63.60]	2.624 [66.65]	2.937 [74.60]	3.279 [83.29]	
18/36	2.652 [67.36]	2.972 [75.49]	3.092 [78.54]	3.405 [86.49]	3.747 [95.17]	
22/44	3.276 [83.21]	3.596 [91.34]	3.716 [94.39]	4.029 [102.34]	4.371 [111.02]	
24/48	3.588 [91.14]	3.908 [99.26]	4.028 [102.31]	4.341 [110.26]	4.683 [118.95]	
25/50	3.744 [95.10]	4.064 [103.23]	4.184 [106.27]	4.497 [114.22]	4.839 [122.91]	
28/56	4.212 [106.98]	4.532 [115.11]	4.652 [118.16]	4.965 [126.11]	5.307 [134.80]	.438 [11.13]
36/72	5.460 [138.68]	5.780 [146.81]	5.900 [149.86]	6.213 [157.81]	6.555 [166.50]	.438 [11.13]
43/86	6.552 [166.42]	6.872 [174.55]	6.992 [177.60]	7.305 [185.55]	7.647 [194.23]	.500 [12.70]
44/88	6.708 [170.38]	7.028 [178.51]	7.148 [181.56]	7.461 [189.51]	7.803 [198.20]	.500 [12.70]

Dimensions are in inch [mm]

POLARIZING KEYS

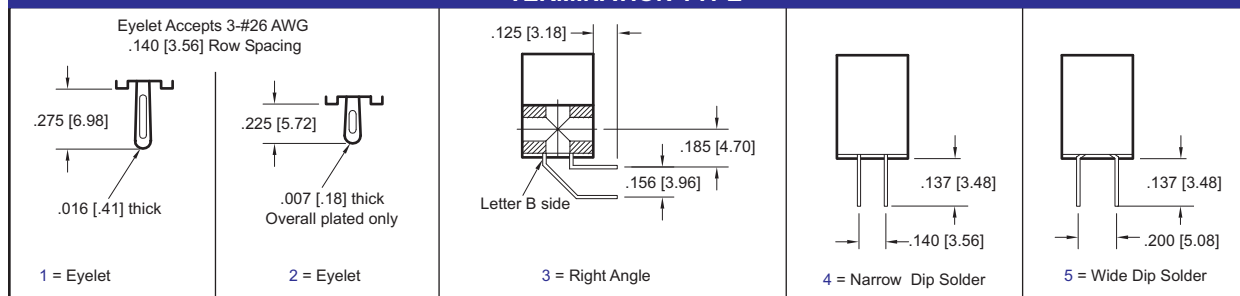


.156[3.96] Contact Centers, Low Profile

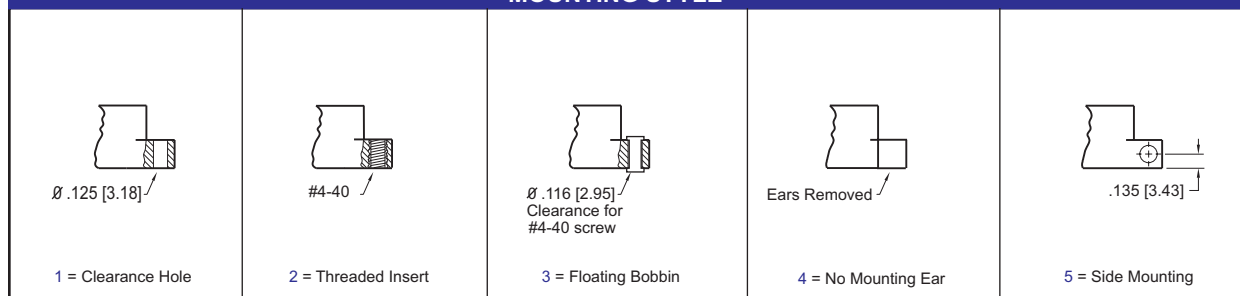


Dimensions are in inch [mm]

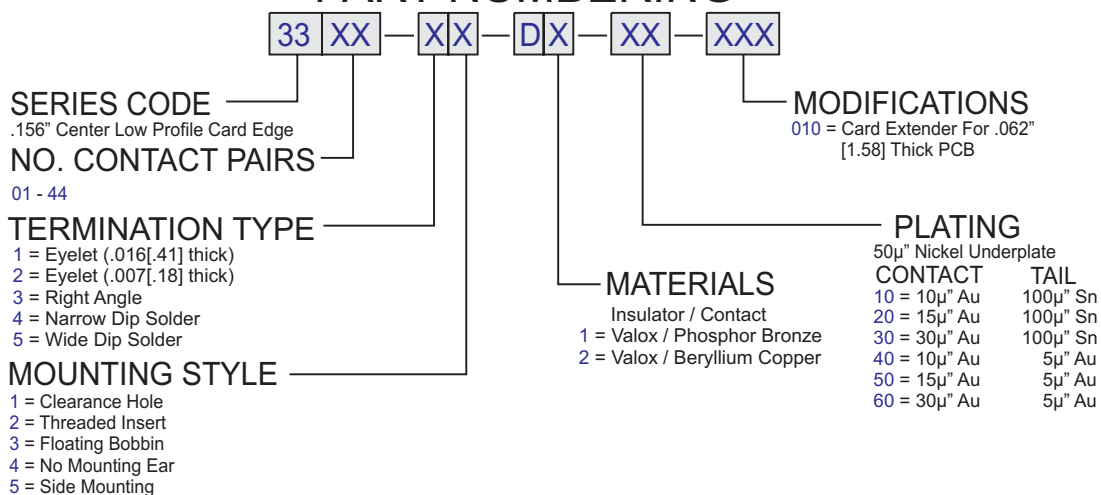
TERMINATION TYPE



MOUNTING STYLE



PART NUMBERING



CONSULT FACTORY FOR CONNECTORS BUILT TO YOUR SPECIFICATION