



2300 Series Low Profile Card Edge Connector .125[3.18] Contact Centers

Specifications

Insulator Material: Glass filled polyester, type PBT,
94 V-O, UL Rated.

Contact Material: Phosphor Bronze Alloy

Contact Plating: Gold and/or Tin over .000050" Nickel,
(See Contact Plating Options).

Current Rating: 3 amp at 30°C

Contact Resistance: Contact to Daughter Card:
10 m Ω

Insulation Resistance: 5000 M Ω

Dielectric Withstand Voltage: 1500 V AC

Daughter Board Insertion Force:
16 oz max. per contact pair
when tested with a .071" thick gage.

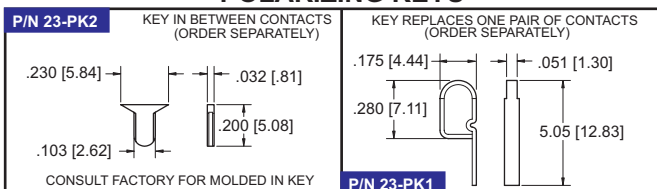
Daughter Board Withdrawal Force:
1 oz min. per contact pair
when tested with a .054" thick gage.



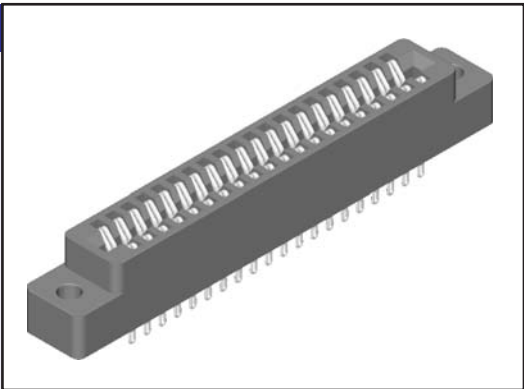
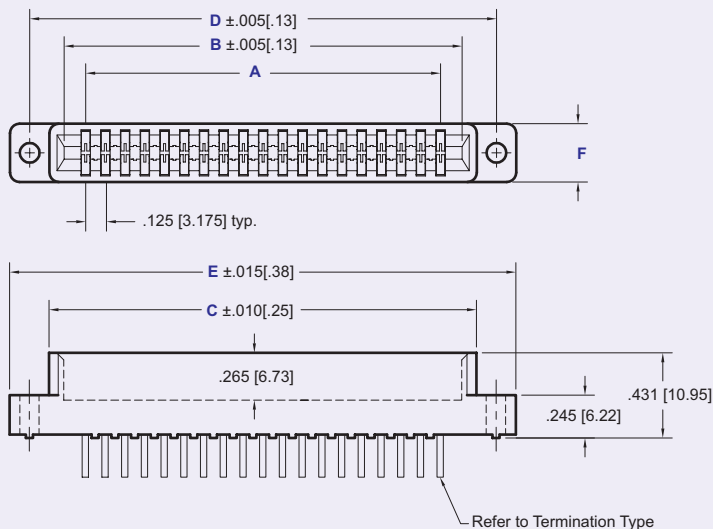
Recognized under the recognized component
Program of Underwriters Laboratories, Inc.
File Numbers: E146967 and E176234

PLEASE CONTACT ECS FOR DIMENSIONING

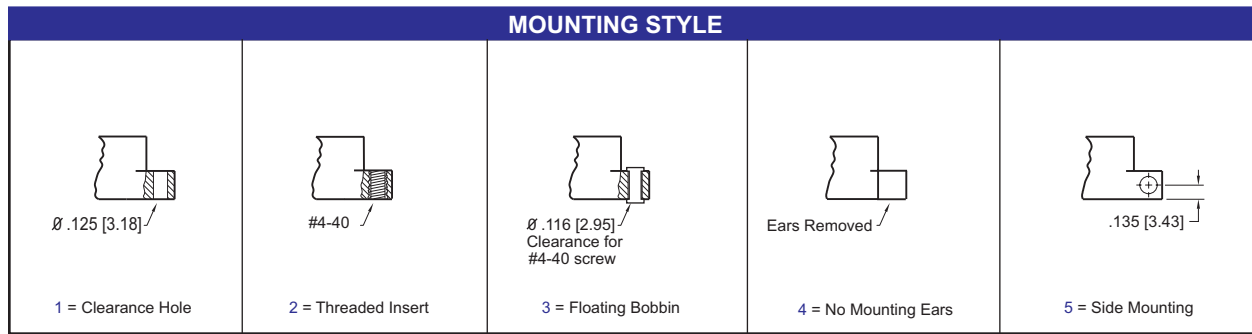
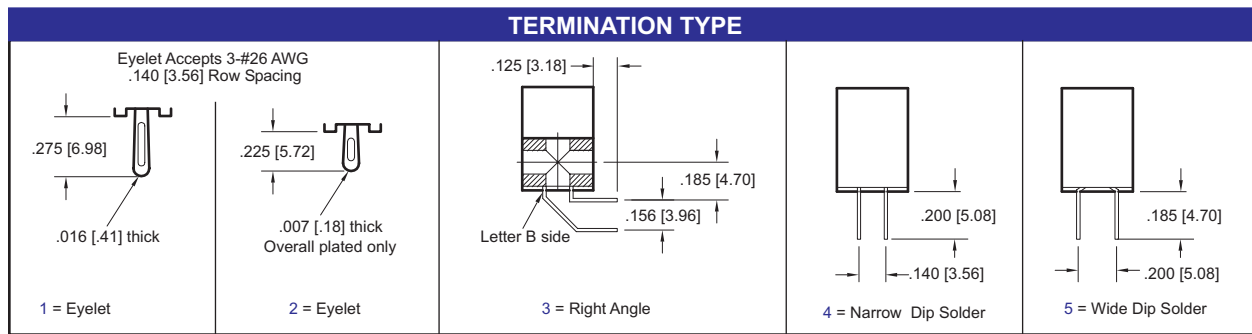
POLARIZING KEYS



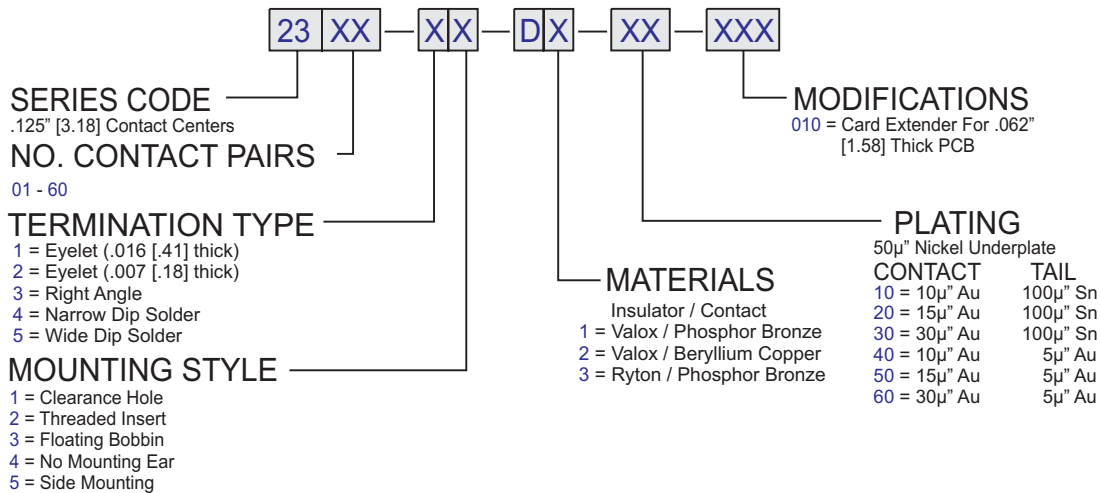
.125[3.18] Contact Centers, Low Profile Card Edge



Dimensions are in inch [mm]



PART NUMBERING



CONSULT FACTORY FOR CONNECTORS BUILT TO YOUR SPECIFICATION