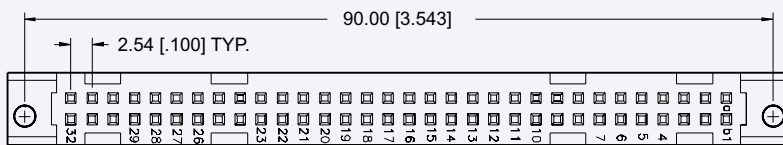
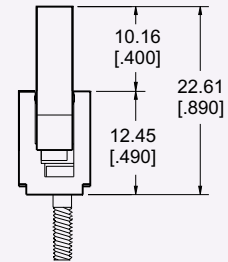
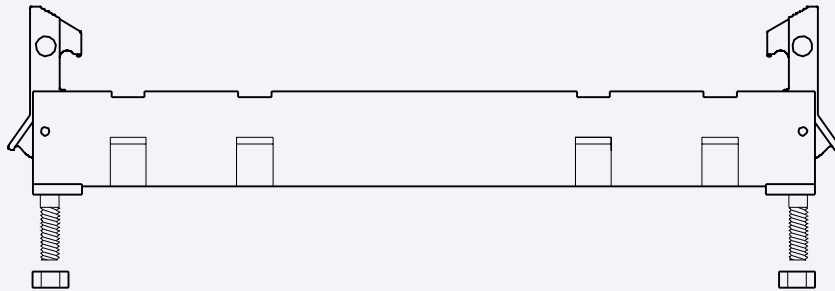
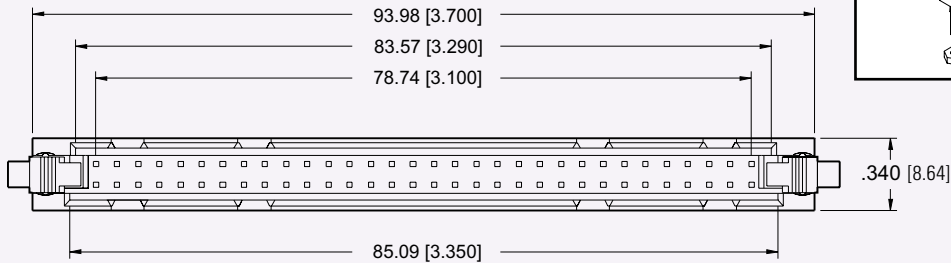
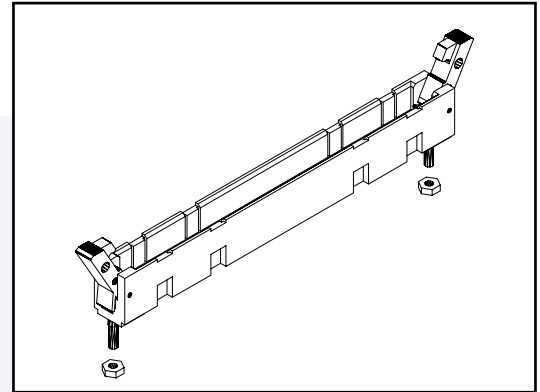




6400 Series IDC Shroud

For Type B and Q Connectors



Dimensions are in mm [inches]

PART NUMBERING

6464 — X1

SERIES CODE

NO. CONTACT PAIRS

- 1 = 32
- 2 = 16

MATERIAL TYPE

- 1 = Glass filled Polyester
- Type PBT, 94 V-0 Rated

CONSULT FACTORY FOR CONNECTORS BUILT TO YOUR DESIGN