

.032 [0.80] BOARD TO BOARD SOCKET , R/A

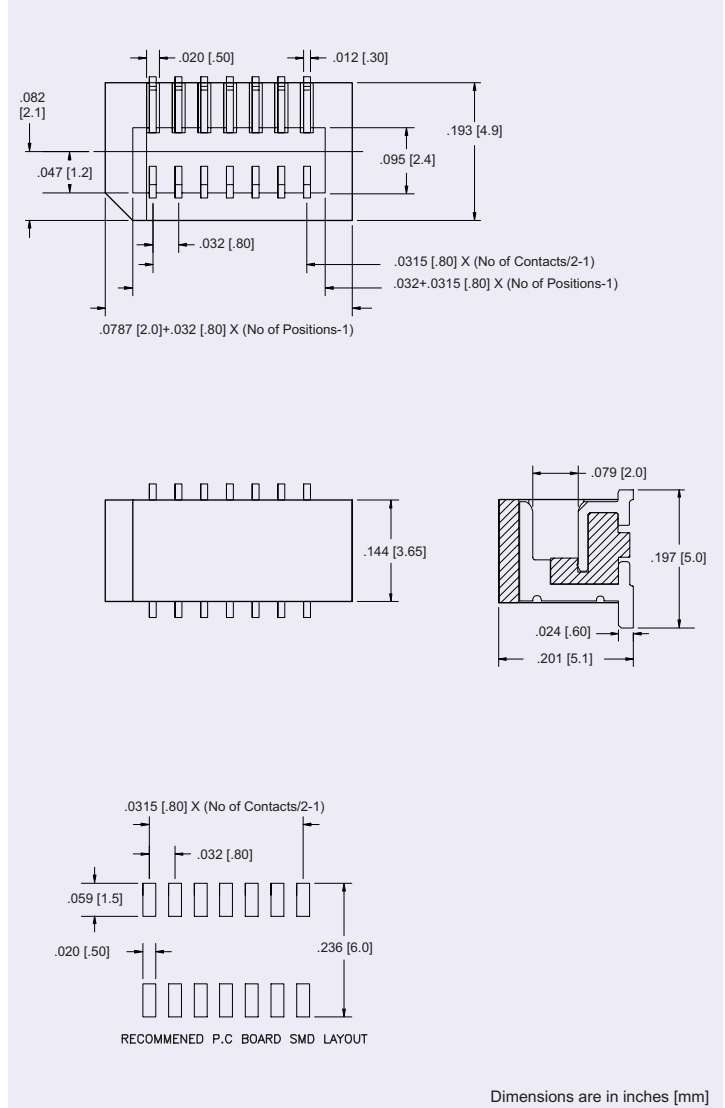
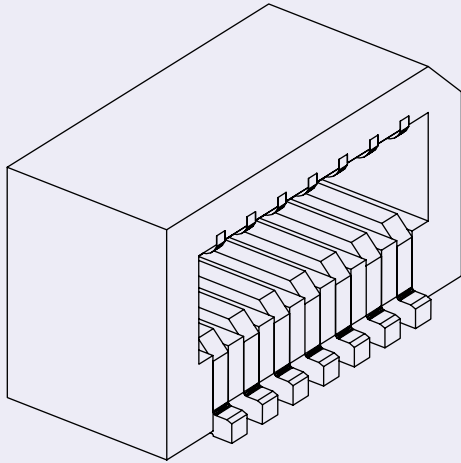


Specifications

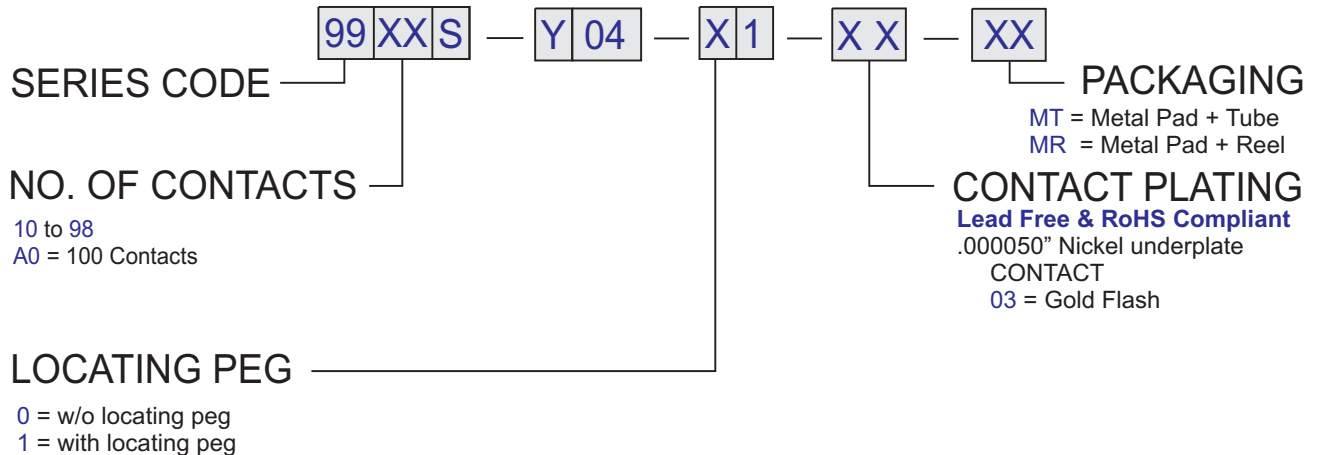
Current Rating: 0.5 Amps
Insulator Resistance: 100 Megohms min
Contact Resistance: 40m ohm max
Dielectric Withstanding: AC 500V
Operating Temperature: -40° ~± 85° C
Contact Material: Phosphor Bronze
Insulator Material: High Temperature Thermoplastic. UL 94V-0
Finish: See Contact Plating



Recognized under the recognized component Program of Underwriters Laboratories, Inc.
 Products specifications are subject to be changed without notice.



PART NUMBERING



CONSULT FACTORY FOR CONNECTORS BUILT TO YOUR DESIGN