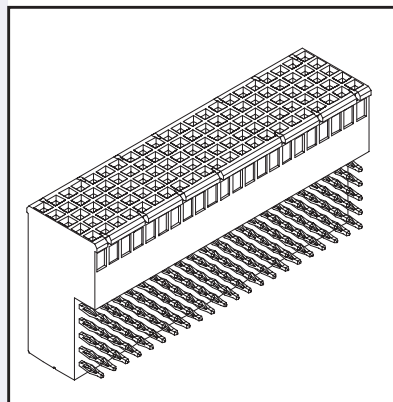
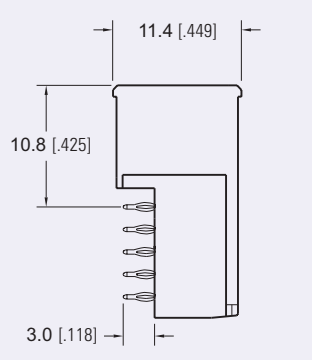
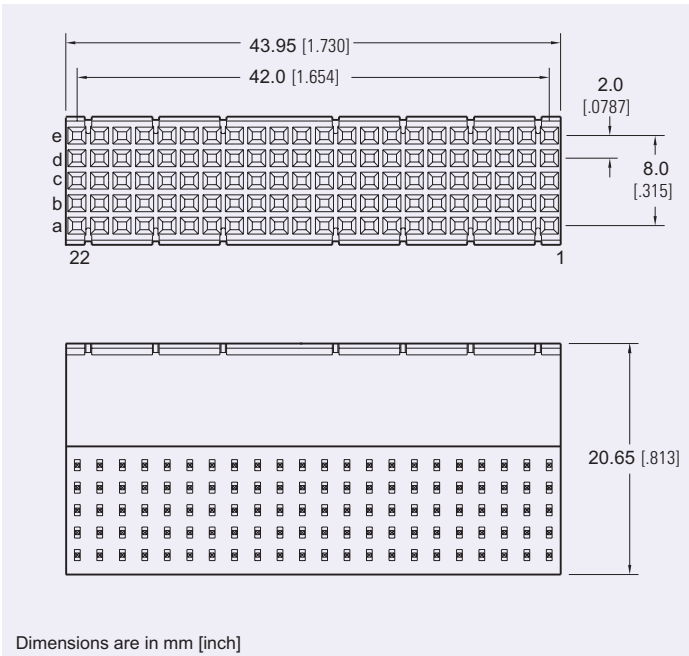




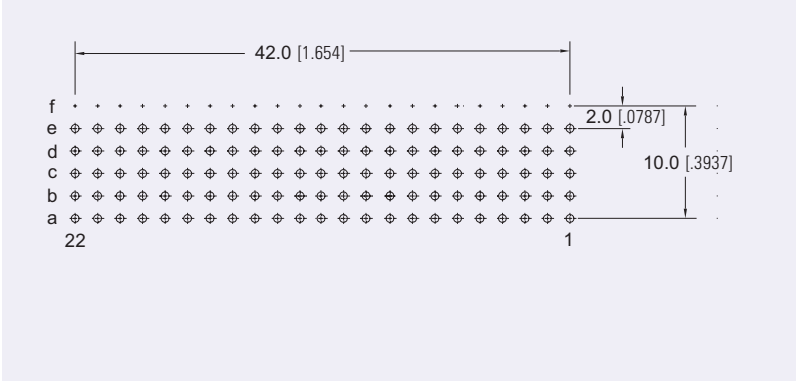
# €-Z met™ 2mm HM Type B-22 Receptacle, Right Angle

The €-Z met™ Type B-22 connector provides 110 contacts. These connectors are available either with or without integrated upper ground return shields. Lower ground return shields may be ordered separately.

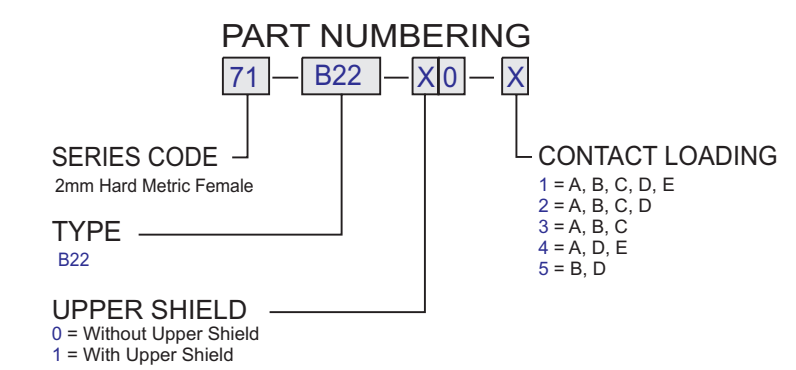
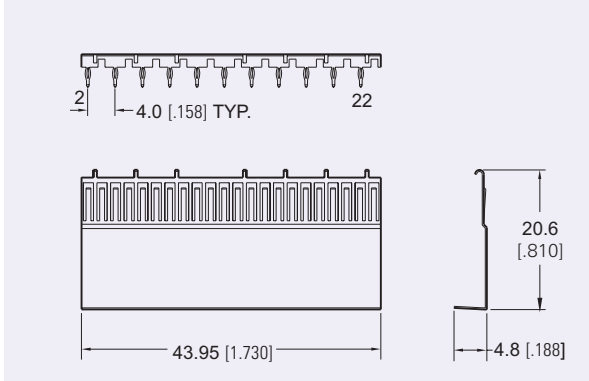
The Type B-22 connector is used in the J2 and J5 positions on the Compact PCI® daughtercard. This connector is not designed to be used alone, but may be used together with either a Type A, C, L, M or N €-Z met™ connector.



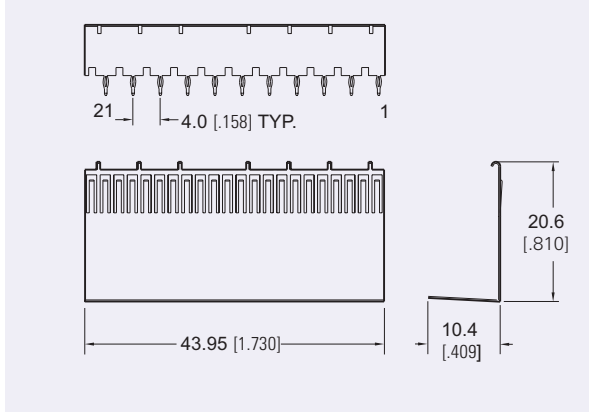
## BOARD LAYOUT



## Lower Shield P/N 71-B22-01



## Upper Shield P/N 71-B22-10

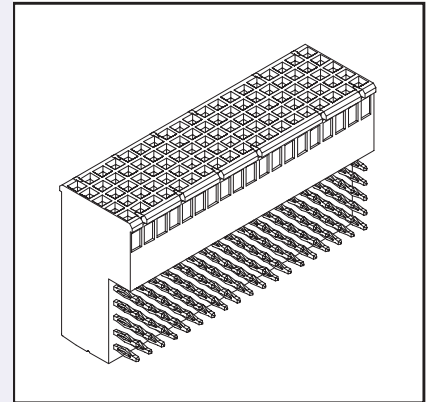
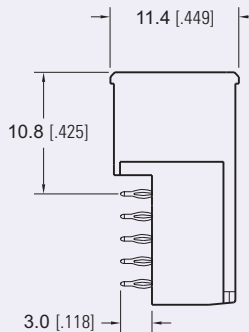
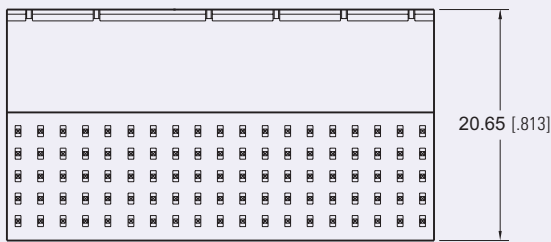
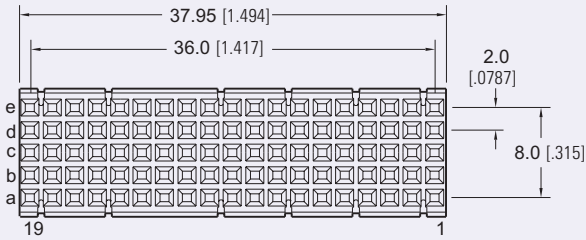




# €-Z met™ 2mm HM Type B-19 Receptacle, Right Angle

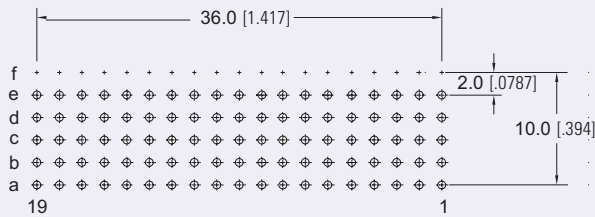
The €-Z met™ Type B-19 connector provides 95 contacts. These connectors are available either with or without integrated upper ground return shields. Lower ground return shields may be ordered separately.

The Type B-19 connector is used in the J3 position on the Compact PCI® daughtercard. This connector is not designed to be used alone, but may be used together with either a Type A, C, L, M or N €-Z met™ connector.

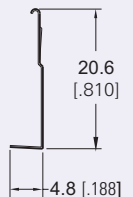
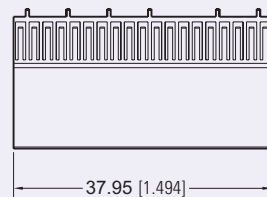
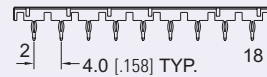


Dimensions are in mm [inch]

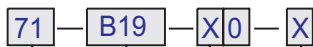
## BOARD LAYOUT



## Lower Shield P/N 71-B19-01



## PART NUMBERING



**SERIES CODE**  
2mm Hard Metric Female

**TYPE**  
B19

**UPPER SHIELD**  
0 = Without Upper Shield  
1 = With Upper Shield

**CONTACT LOADING**

- 1 = A, B, C, D, E
- 2 = A, B, C, D
- 3 = A, B, C
- 4 = A, D, E
- 5 = B, D

## Upper Shield P/N 71-B19-10

