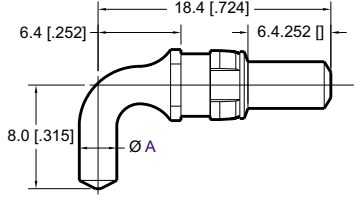
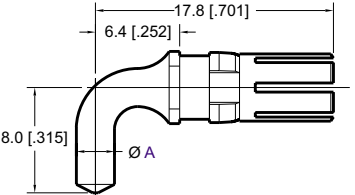
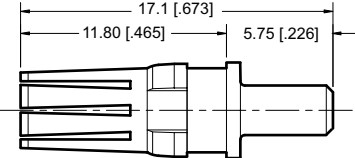
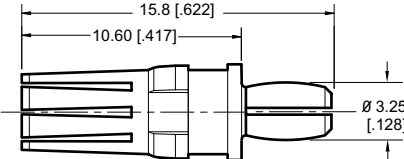
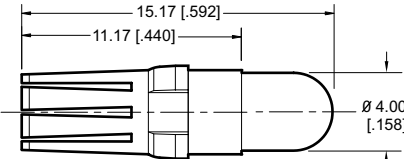
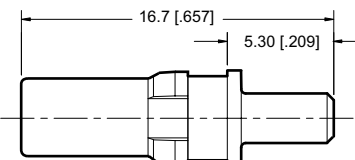




5500 Series DIN Contacts

High Power Contacts (PCB Mount)

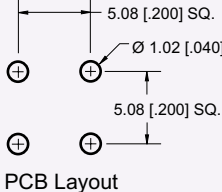
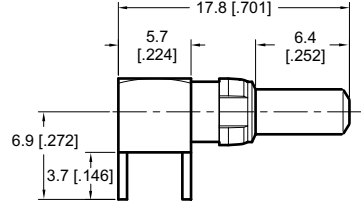
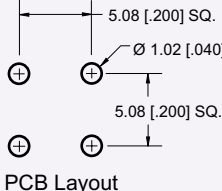
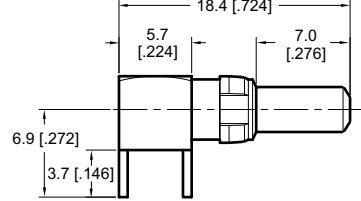
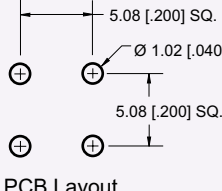
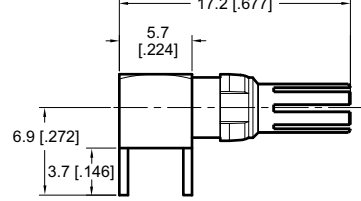
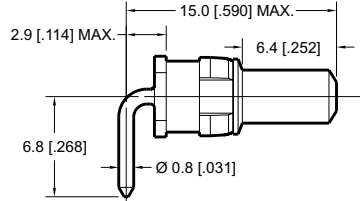
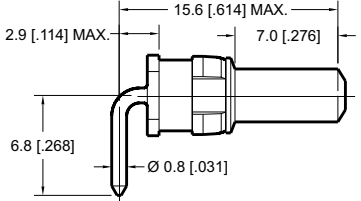
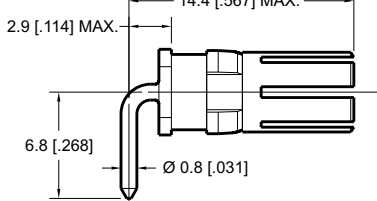
Plug: Right Angle	Max. Current	Dim. A	
P/N 55-1P-203-1	20 Amp	Ø 2.9 [.114]	
P/N 55-1P-403-1	40 Amp	Ø 3.8 [.150]	
Socket: Right Angle	Max. Current	Dim. A	
P/N 55-1S-203-1	20 Amp	Ø 2.9 [.114]	
P/N 55-1S-403-1	40 Amp	Ø 3.8 [.150]	
Socket: Straight PCB Termination	Max. Current	PCB Hole Size Requirement	
P/N 55-1S-207-1	20 Amp	Ø 3.00 [.118]	
Socket: Straight PCB Press Fit			
P/N 55-1S-208-1	30 Amp	Ø 3.00 [.118]	
Socket: Straight PCB Termination	Max. Current	PCB Hole Size Requirement	
P/N 55-1S-217-1	40 Amp	Ø 4.80 [.189]	
Plug: Straight PCB Termination	Max. Current	PCB Hole Size Requirement	
P/N 55-1P-218-1	20 Amp	Ø 3.00 [.118]	

Dimensions are in mm[inch].



5500 Series DIN Contacts

High Power Contacts (PCB Mount)

P/N 55-1P-402-1	Max. Current	 <p>PCB Layout</p>	
Plug: Right Angle PCB Termination	40 Amp		
P/N 55-1P-412-1	Max. Current	 <p>PCB Layout</p>	
Plug: Extended Pin Right Angle PCB Termination	40 Amp		
P/N 55-1S-402-1	Max. Current	 <p>PCB Layout</p>	
Socket: Right Angle PCB Termination	40 Amp		
P/N 55-1P-102-1	Max. Current		
Plug: Right Angle PCB Termination	10 Amp		
P/N 55-1P-206-1	Max. Current		
Plug: Extended Pin Right Angle PCB Termination	10 Amp		
P/N 55-1S-102-1	Max. Current		
Socket: Right Angle PCB Termination	10 Amp		

Dimensions are in mm[inch].