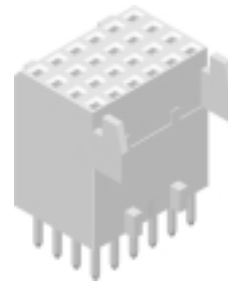


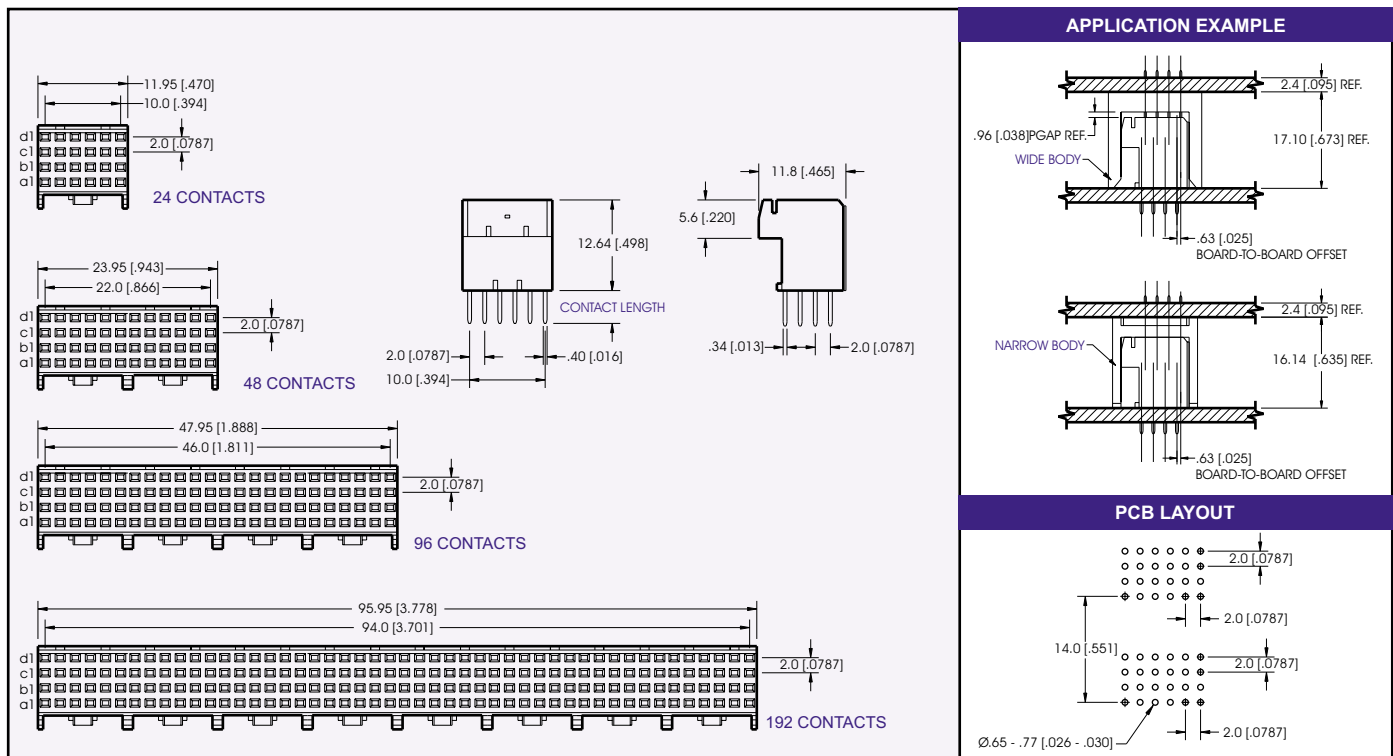


7300 Series Futurebus 4 Row Vertical Female 12.64mm Height

Specifications

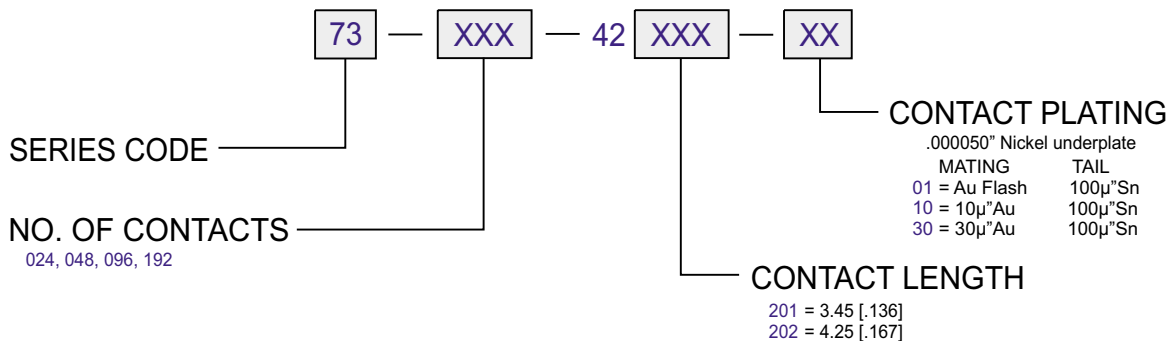


Insulator Material: Liquid Crystal Polymer (LCP)
 94V-O, UL Recognized.
 Contact Material: Phosphor Bronze
 Contact Plating: Gold and Tin over .000050" Ni
 (See contact plating options)
 Insulation Resistance: 1000 M ohms min.
 Contact Resistance: 30 m ohms max.
 Dielectric Withstand Voltage: 1000 VAC
 Current Rating: 1 AMP
 Operating Temperature: -65°C To +125°C
 UL File Numbers: E146967 & E176234



DIMENSIONS ARE IN MM & [INCHES]

PART NUMBERING



CONSULT FACTORY FOR CUSTOM CONNECTORS BUILT TO YOUR SPECIFICATION