



3700 Series Card Edge Connector

.156" X .200" Contact Spacing, .031" X .062" Pin

Specifications

Insulator Material: Glass filled polyester, type PBT, 94 V-O, UL Rated.

Contact Material: Phosphor Bronze Alloy CA510

Contact Plating: Gold and/or Tin over .000050" Nickel, (See Contact Plating Options).

Current Rating: 5 amp at 30°C

Contact Resistance:
 Contact to Daughter Card:
 10 m max.

Insulation Resistance:
 5000 M min.

Dielectric Withstand Voltage:
 1800 V AC

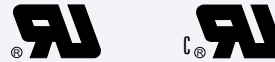
Daughter Board Insertion Force:
 16 oz max. per contact pair
 when tested with a .071" thick gage.

Daughter Board Withdrawal Force:
 1 oz min. per contact pair
 when tested with a .054" thick gage.

Operating Temperature:
 -54°C to +125°C

Features

- Extra large chamfered entry
- Conforms to Bell-core spec TR-TSY-00078
- Extended card scoops available
- Replaceable contacts
- Molded in polarization available between contact, or on contact position.
- De-population of contacts per customer specification.
- Available in selective gold plate at contact point
- Many other custom options available, including, but not limited to:
 - Single or Both Ends Open
 - Shorting Contacts



Recognized under the recognized component Program of Underwriters Laboratories, Inc.
 File Numbers: E146967 and E176234

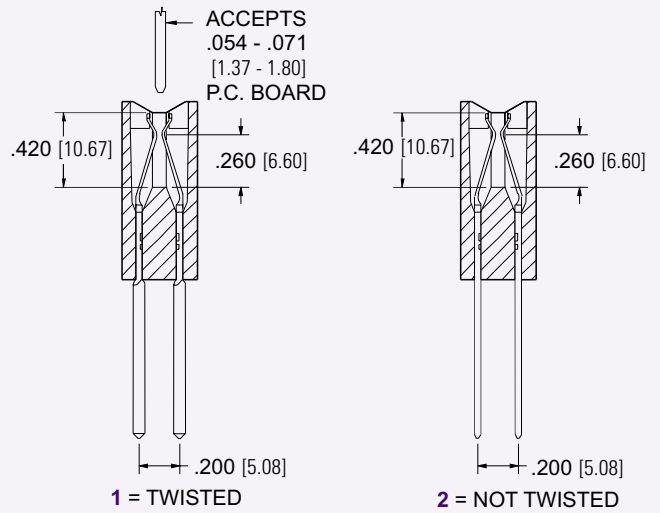
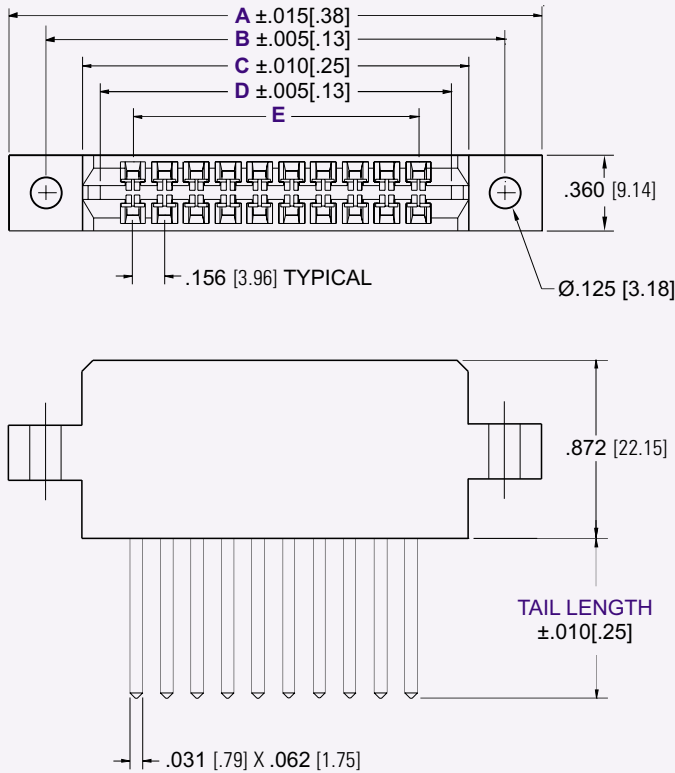
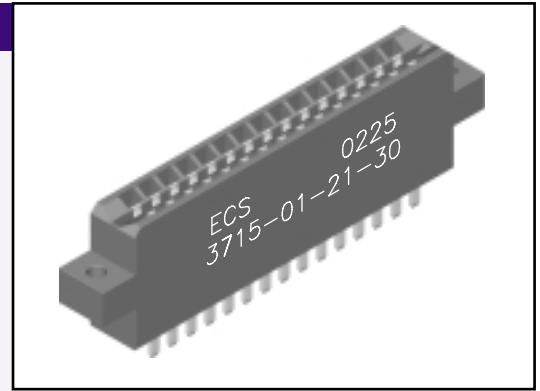
POS. / CONTACTS	A	B	C	D	E
10/20	2.425 [61.60]	2.156 [54.76]	1.900 [48.26]	1.724 [43.79]	1.404 [35.66]
15/30	3.205 [81.41]	2.940 [74.68]	2.675 [67.95]	2.504 [63.60]	2.184 [55.47]
22/44	4.295 [109.10]	4.032 [102.41]	3.765 [95.63]	3.596 [91.34]	3.276 [83.21]

Dimensions are in inch [mm]

MOUNTING STYLE

1 = Clearance Hole	2 = #4-40 Threaded Insert	3 = Flush Mount	4 = #4-40 Flush Mount	5 = No Mounting Ear

.156" x .200" Contact Spacing



Dimensions are in inch [mm]

PART NUMBERING



SERIES CODE
 .156 X .200 Center .031 X .062 Pins

NO. CONTACT PAIRS
 10
 15
 22

BODY STYLE
 01 = Clearance Hole
 02 = #4-40 Threaded Insert
 03 = Flush Mount
 04 = Flush Mount / #4-40 Threaded Insert
 05 = No Mounting Ears

TAIL LENGTH
 1 = .200 [5.08]
 2 = .570 [14.48]
 3 = .750 [19.05]

TAIL TWIST
 1 = Twisted
 2 = Not Twisted

PLATING
 50µ" Nickel Underplate
CONTACT
 10 = 10µ" Au
 20 = 15µ" Au
 30 = 30µ" Au
 40 = 10µ" Au
 50 = 15µ" Au
 60 = 30µ" Au
TAIL
 100µ" Sn
 100µ" Sn
 100µ" Sn
 5µ" Au
 5µ" Au
 5µ" Au

CONSULT FACTORY FOR CONNECTORS BUILT TO YOUR SPECIFICATION