



2200 Series Card Edge Connector

.125" X .250" Contact Spacing, Bellow Contacts

Specifications

Insulator Material: Glass filled polyester, type PBT, 94 V-O, UL Rated.

Contact Material: Phosphor Bronze Alloy

Contact Plating: Gold and/or Tin over .000050" Nickel, (See Contact Plating Options).

Current Rating: 5 amp at 30°C

Contact Resistance:
Contact to Daughter Card:
10 m Ω max.

Insulation Resistance:
5000 M Ω min.

Dielectric Withstand Voltage:
1500 V AC

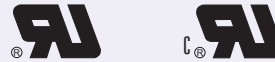
Daughter Board Insertion Force:
16 oz max. per contact pair
when tested with a .071" thick
gage.

Daughter Board Withdrawal Force:
1 oz min. per contact pair
when tested with a .054" thick
gage.

Operating Temperature:
-54°C to +125°C

Features

- Extra large chamfered entry
- Conforms to Bell-core spec TR-TSY-00078
- Extended card scoops available
- Replaceable contacts
- Molded in polarization available between contact, or on contact position.
- De-population of contacts per customer specification.
- Available in selective gold plate at contact point
- Many other custom options available, including, but not limited to:
 - Single or Both Ends Open



Recognized under the recognized component Program of Underwriters Laboratories, Inc. File Numbers: E146967 and E176234

POS./CONTACTS	A	B	C	D	E	F
06/12	0.625 [15.87]	0.875 [22.22]	1.035 [26.29]	1.295 [32.89]	1.555 [39.50]	0.875 [22.22]
10/20	1.125 [28.57]	1.375 [34.92]	1.535 [38.99]	1.795 [45.59]	2.055 [52.20]	1.375 [34.92]
14/28	1.625 [41.27]	1.875 [47.62]	2.035 [51.69]	2.295 [58.29]	2.555 [64.90]	1.875 [47.62]
15/30	1.750 [44.45]	2.000 [50.80]	2.160 [54.86]	2.420 [61.47]	2.680 [68.07]	2.000 [50.80]
18/36	2.125 [53.97]	2.375 [60.32]	2.535 [64.39]	2.795 [70.99]	3.055 [77.60]	2.375 [60.32]
22/44	2.625 [66.67]	2.875 [73.02]	3.035 [77.09]	3.295 [83.69]	3.555 [90.30]	2.875 [73.02]
24/48	2.875 [73.03]	3.125 [79.38]	3.285 [83.44]	3.545 [90.04]	3.805 [96.65]	3.125 [79.38]
28/56	3.375 [85.72]	3.625 [92.07]	3.785 [96.16]	4.045 [102.74]	4.305 [109.35]	3.625 [92.07]
30/60	3.625 [92.07]	3.875 [98.42]	4.035 [102.49]	4.295 [109.09]	4.555 [115.70]	3.875 [98.42]
31/62	3.750 [95.25]	4.000 [101.60]	4.160 [105.66]	4.420 [112.27]	4.680 [118.87]	4.000 [101.60]
32/64	3.875 [98.43]	4.125 [104.77]	4.285 [108.84]	4.545 [115.44]	4.805 [122.05]	4.125 [104.77]
35/70	4.250 [107.95]	4.500 [114.30]	4.660 [118.36]	4.920 [124.97]	5.180 [131.57]	4.500 [114.30]
36/72	4.375 [111.12]	4.625 [117.47]	4.785 [121.54]	5.045 [128.14]	5.305 [134.75]	4.625 [117.47]
40/80	4.875 [123.83]	5.125 [130.17]	5.285 [134.24]	5.545 [140.84]	5.805 [147.45]	5.125 [130.17]
43/86	5.250 [133.36]	5.500 [139.70]	5.660 [143.77]	5.920 [150.37]	6.180 [156.98]	5.500 [139.70]
44/88	5.375 [136.53]	5.625 [142.87]	5.785 [146.94]	6.045 [153.54]	6.305 [160.15]	5.625 [142.87]
49/98	6.000 [152.40]	6.250 [158.75]	6.410 [162.81]	6.670 [169.42]	6.930 [176.02]	6.250 [158.75]
50/100	6.125 [155.57]	6.375 [161.92]	6.535 [165.99]	6.795 [172.59]	7.055 [179.20]	6.375 [161.92]

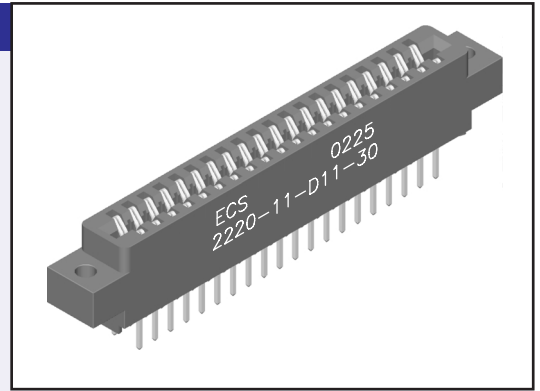
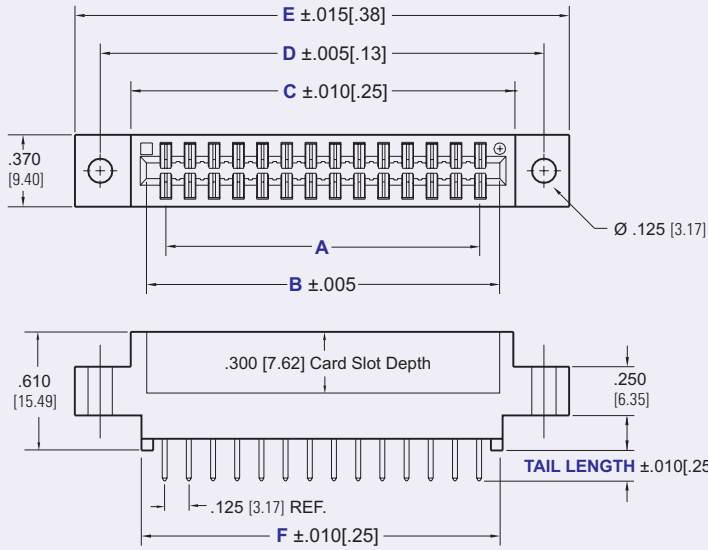
For reference only, can go 1 through 50 positions.

Dimensions are in inch [mm]

MOUNTING STYLE

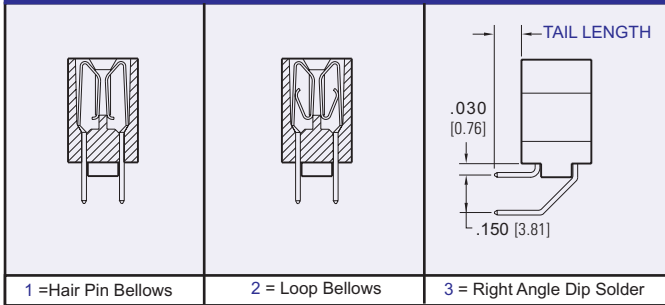
1 = Clearance Hole	2 = #4-40 Threaded Insert	3 = Flush Mount	4 = #4-40 Threaded Insert	5 = No Mounting Ear	6 = Side Mounting

.125" x .250" Contact Spacing, Bellow Contacts

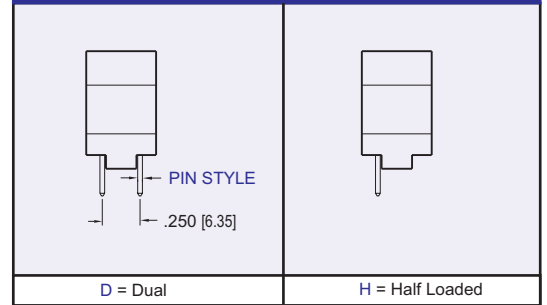


Dimensions are in inch [mm]

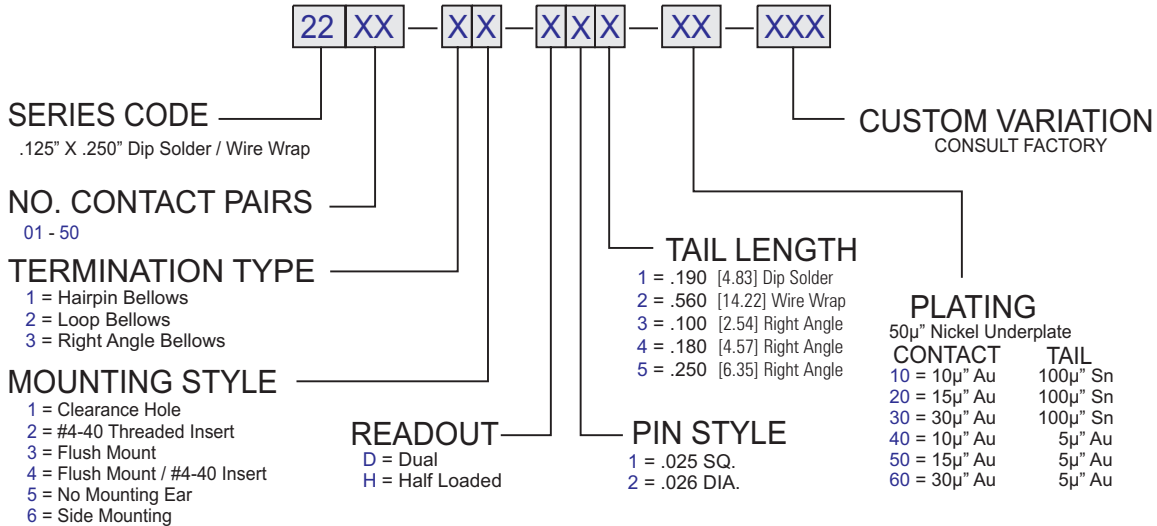
TERMINATION TYPE



READOUT



PART NUMBERING



CONSULT FACTORY FOR CONNECTORS BUILT TO YOUR SPECIFICATION