



1800 Series Card Edge Connector

.050 [1.27] Contact Centers

Specifications

- Accommodates .062 ± .008 PC Board
- 1 amp current rating
- Insulation Resistance: 5000 M
- Dielectric Withstand Voltage: 250 VDC
- Voltage Drop: 30 m volt at rated current
- Contact Resistance: 30 m max. at rated current
- Board Insertion Force: 16 oz. Max. per contact pair using .062 [1.58mm] thick steel test blade
- Board Withdrawal Force: 1 oz. Min. per contact pair using .062 [1.58mm] thick steel test blade.
- Operating Temperature: -54° to 125° C

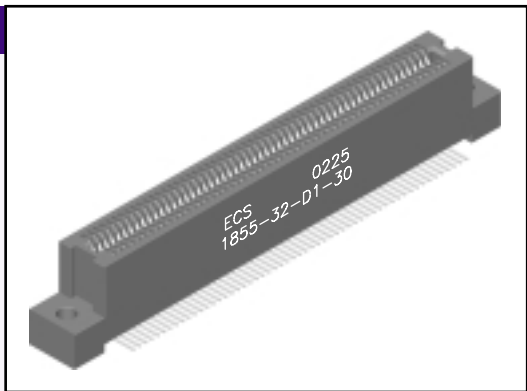
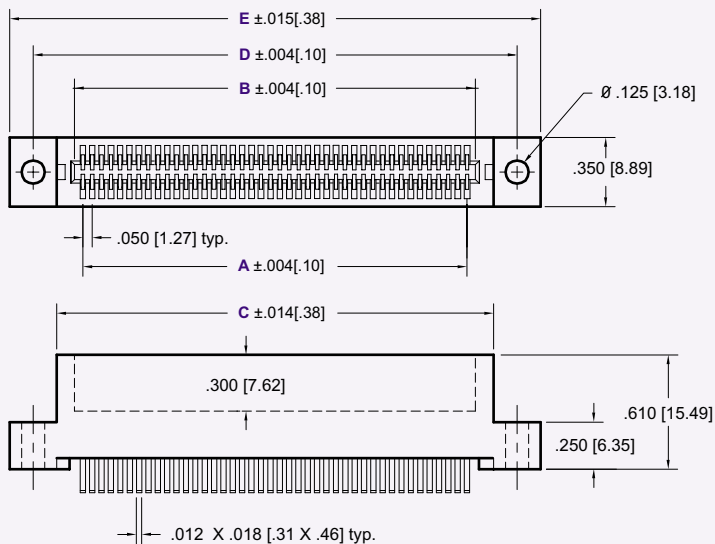


Recognized under the recognized component Program of Underwriters Laboratories, Inc.
File Numbers: E146967 and E176234

POS./CONTACTS	A	B	C	D	E
5/10	.200 [5.08]	.300 [7.62]	.490 [12.45]	.776 [19.71]	1.090 [27.69]
6/12	.250 [6.35]	.350 [8.89]	.540 [13.72]	.826 [20.98]	1.140 [28.96]
9/18	.400 [10.16]	.500 [12.70]	.690 [17.35]	.976 [24.96]	1.290 [32.77]
10/20	.450 [11.43]	.550 [13.97]	.740 [18.80]	1.026 [26.06]	1.340 [34.04]
14/28	.650 [16.51]	.750 [19.05]	.940 [23.88]	1.226 [31.14]	1.540 [39.12]
15/30	.700 [17.78]	.800 [20.32]	.990 [25.15]	1.276 [32.41]	1.590 [40.39]
20/40	.950 [24.13]	1.050 [26.67]	1.240 [31.50]	1.526 [38.76]	1.840 [46.74]
22/44	1.050 [26.67]	1.150 [29.21]	1.340 [34.04]	1.626 [41.30]	1.940 [49.28]
25/50	1.200 [30.48]	1.300 [33.02]	1.490 [37.85]	1.776 [45.11]	2.090 [53.09]
30/60	1.450 [36.83]	1.550 [39.37]	1.740 [44.20]	2.026 [51.46]	2.340 [59.44]
34/68	1.650 [41.91]	1.750 [44.45]	1.940 [49.28]	2.226 [56.54]	2.540 [64.52]
35/70	1.700 [43.18]	1.800 [45.72]	1.990 [50.55]	2.276 [57.81]	2.590 [65.79]
40/80	1.950 [49.53]	2.050 [52.07]	2.240 [56.90]	2.526 [64.16]	2.840 [72.14]
45/90	2.200 [55.88]	2.300 [58.42]	2.490 [63.25]	2.776 [70.51]	3.090 [78.59]
50/100	2.450 [62.23]	2.550 [64.77]	2.740 [69.60]	3.026 [76.86]	3.340 [84.84]
55/110	2.700 [68.58]	2.800 [71.12]	2.990 [75.95]	3.276 [83.21]	3.590 [91.19]
60/120	2.950 [74.93]	3.050 [77.47]	3.240 [82.30]	3.526 [89.64]	3.840 [97.54]
64/128	3.150 [80.01]	3.250 [82.55]	3.440 [87.38]	3.726 [94.64]	4.040 [102.62]
65/130	3.200 [81.28]	3.300 [83.82]	3.490 [88.65]	3.776 [95.91]	4.090 [103.89]
66/132	3.250 [82.55]	3.350 [85.09]	3.540 [89.92]	3.826 [97.18]	4.140 [105.16]
70/140	3.450 [87.63]	3.550 [90.17]	3.740 [95.00]	4.026 [102.26]	4.340 [110.24]
75/150	3.700 [93.98]	3.800 [96.52]	3.990 [101.35]	4.276 [108.61]	4.590 [116.59]
80/160	3.950 [100.33]	4.050 [102.87]	4.240 [107.70]	4.526 [114.96]	4.840 [122.94]
85/170	4.200 [106.68]	4.300 [109.22]	4.490 [114.05]	4.776 [121.31]	5.090 [129.29]
90/180	4.450 [113.03]	4.550 [115.57]	4.740 [120.40]	5.026 [127.66]	5.340 [135.64]
95/190	4.700 [119.38]	4.800 [121.92]	4.990 [126.75]	5.276 [134.01]	5.590 [141.99]
100/200	4.950 [125.73]	5.050 [128.27]	5.240 [133.10]	5.526 [140.36]	5.840 [148.34]
105/210	5.200 [132.08]	5.300 [134.62]	5.490 [139.45]	5.776 [146.71]	6.090 [154.69]
110/210	5.450 [138.43]	5.550 [140.97]	5.740 [145.80]	6.026 [153.06]	6.340 [161.04]

Dimensions are in inch [mm]

.050 [1.27] Contact Center



Dimensions are in inch [mm]

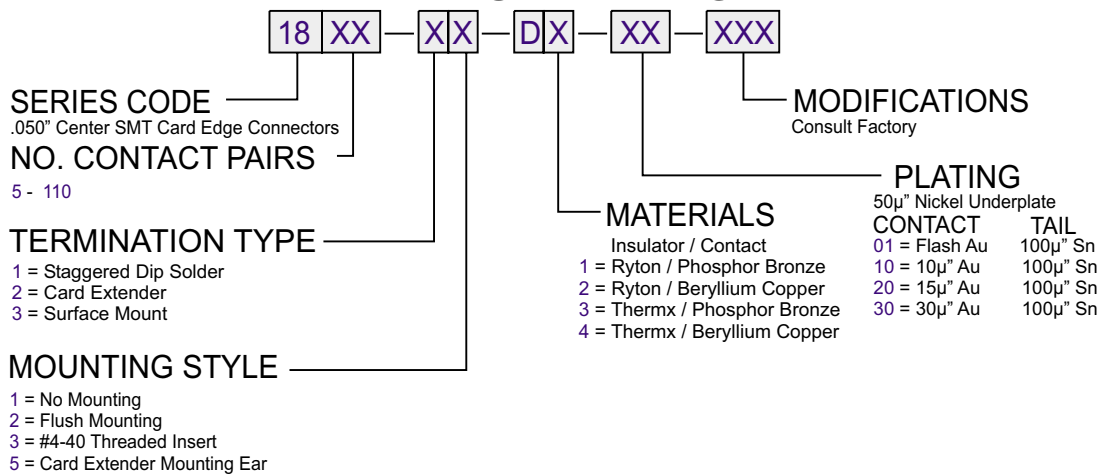
MOUNTING STYLE

1 = No Mounting Ear	2 = Flush Mount
3 = #4-40 Threaded Insert	5 = Card Extender Mounting

TERMINATION TYPE

1 = Staggered Dip Solder	2 = Card Extender	3 = Surface Mount

PART NUMBERING



CONSULT FACTORY FOR CONNECTORS BUILT TO YOUR SPECIFICATION