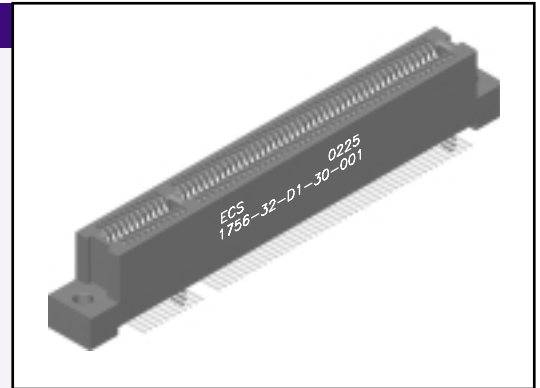




# 1700 Series MCA Card Edge Connector .050 [1.27] Contact Centers

## Specifications

- Accommodates .062 ± .008 PC Board
- Ryton or Thermx insulator
- 1 amp current rating
- Insulation Resistance: 5000 M min.
- Dielectric Withstand Voltage: 250 VDC
- Voltage Drop: 30 m volt at rated current
- Contact Resistance: 30 m max. at rate current
- Board Insertion Force: 16 oz. max. per contact pair using .062 [1.58mm] thick steel test blade.
- Board Withdrawal Force: 1 oz. Min. per contact pair using .062 [1.58mm] thick steel test blade.
- Operating Temperature: -54° to 125° C



Recognized under the recognized component Program of Underwriters Laboratories, Inc. File Numbers: E146967 and E176234

For drawings, technical data or samples, contact E.C.S. at (714) 895-6351

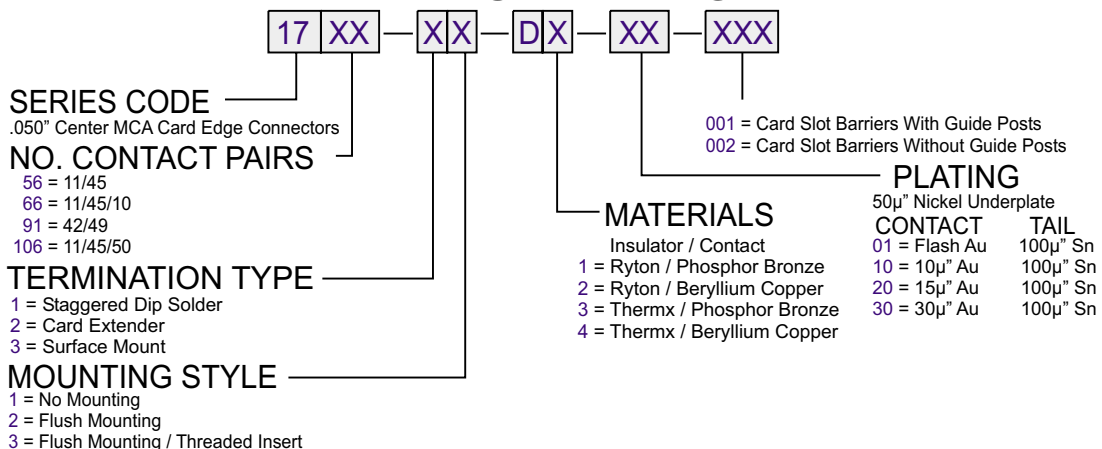
### MOUNTING STYLE

1 = No Mounting Ear	2 = Flush Mount	3 = #4-40 Threaded Insert

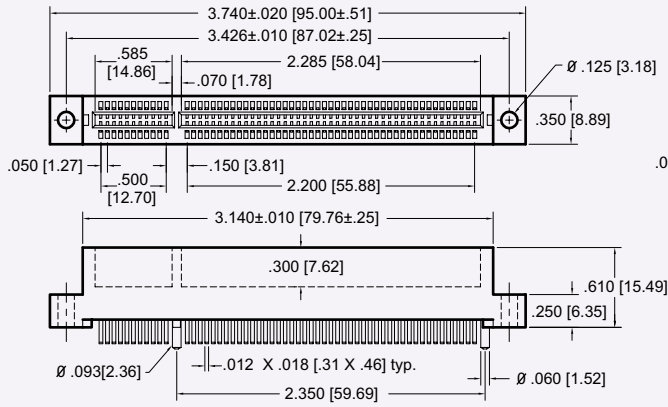
### TERMINATION TYPE

1 = Staggered Dip Solder	2 = Card Extender	3 = Surface Mount

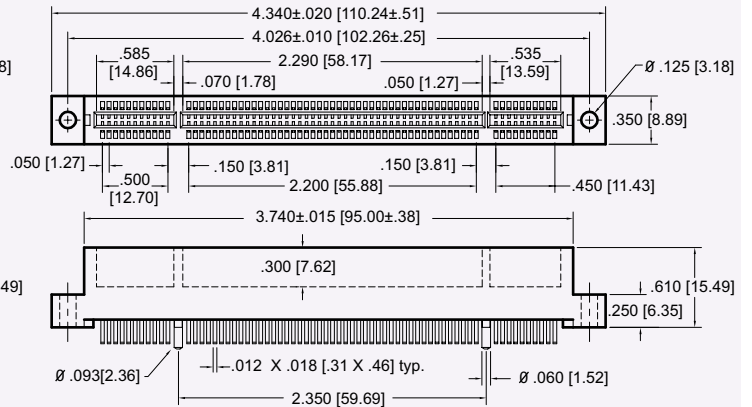
## PART NUMBERING



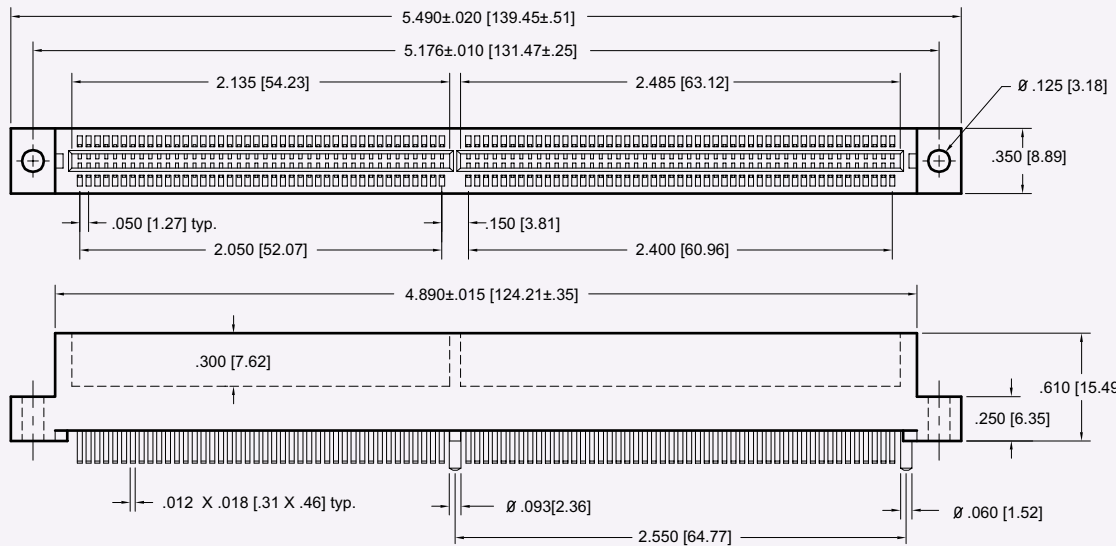
**.050 [1.27] Contact Centers, MCA Card Edge Connector**



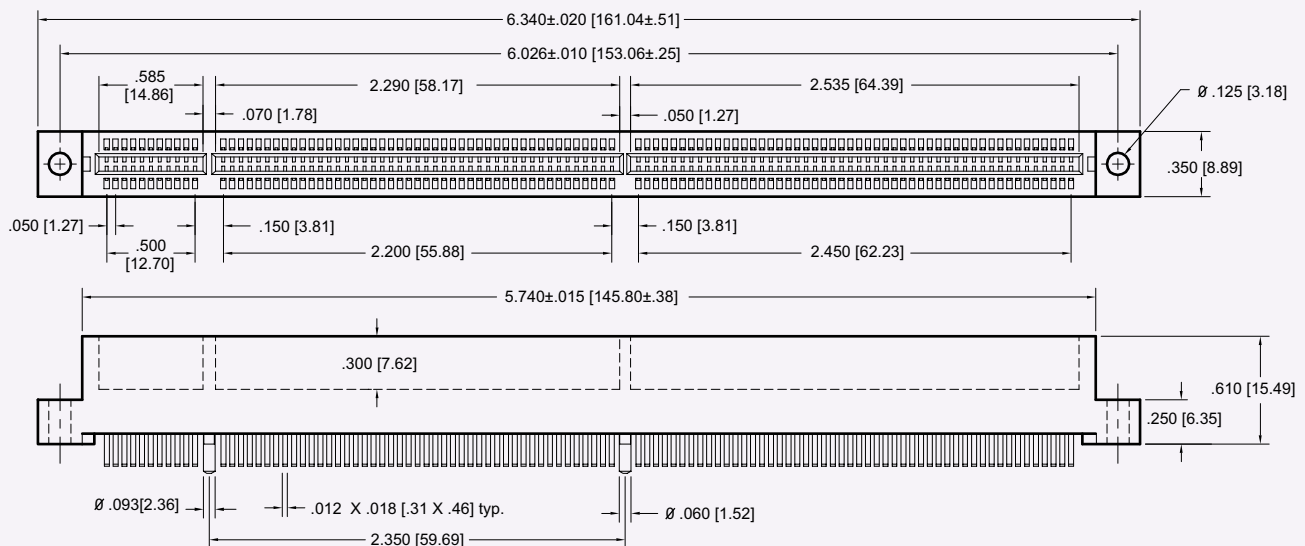
**56 (11/45) POSITIONS**



**66 (11/45/10) POSITIONS**



**91 (42/49) POSITIONS**



**106 (11/45/50) POSITIONS**

Dimensions are in inch [mm]

CONSULT FACTORY FOR CONNECTORS BUILT TO YOUR SPECIFICATION