



# 2400 Series Card Edge Connector, DEC Style .125" X .125" Contact Spacing, Press Fit

## Specifications

Insulator Material: Glass filled polyester, type PBT, 94 V-O, UL Rated.

Contact Material: Phosphor Bronze Alloy

Contact Plating: Gold and/or Tin over .000050" Nickel, (See Contact Plating Options).

Current Rating: 3 amps at 30°C

Contact Resistance:  
 Contact to Daughter Card: 10 m max.  
 Compliant section to P.T.H.: 2 m max.

Insulation Resistance: 5000 M min.

Dielectric Withstand Voltage: 1500 V AC

Daughter Board Insertion Force: 16 oz max. per contact pair when tested with a .071" thick gage.

Daughter Board Withdrawal Force: 1 oz min. per contact pair when tested with a .054" thick gage.

Compliant Section Insertion Force: 40 lbs max per contact

Compliant Section Withdrawal Force: 10 lbs min. per contact

Recommended Board Thickness: .093"+

Recommended PCB Layout Page A-33

Operating Temperature: -54°C to +125°C

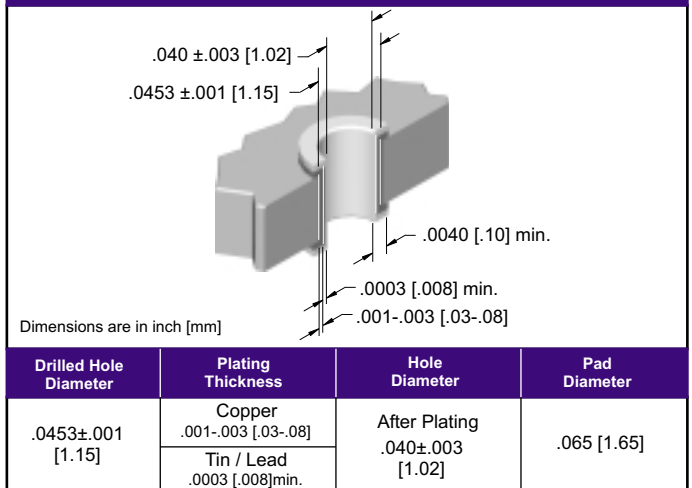


Recognized under the recognized component Program of Underwriters Laboratories, Inc.  
 File Numbers: E146967 and E176234

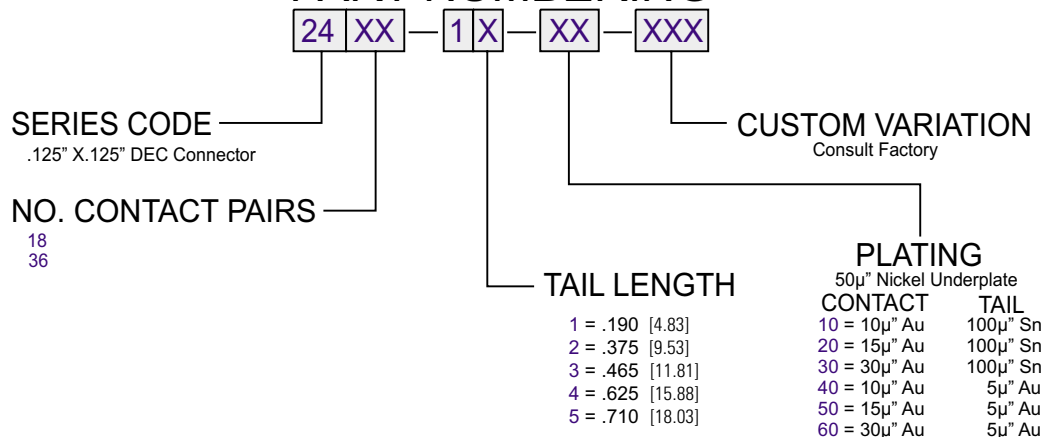
## Features

- Flat Plate Installation eliminates the need for secondary operation tooling which can damage the connector.
- Extra large chamfered entry
- Conforms to Bell-core spec TR-TSY-00078
- Extended card scoops available
- Replaceable contacts
- Molded in polarization available between contact, or on contact position.
- De-population of contacts per customer specification.
- Available in selective gold plate at contact point
- Many other custom options available, including, but not limited to:
  - Single or Both Ends Open
  - Shorting Contacts

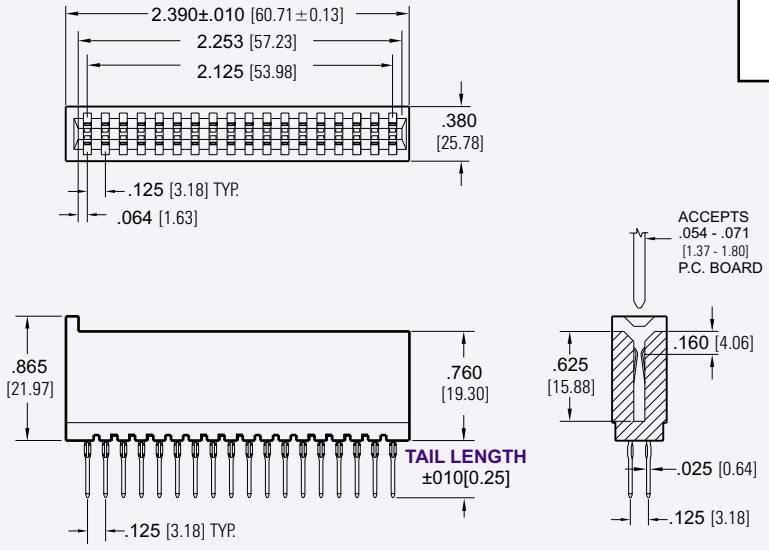
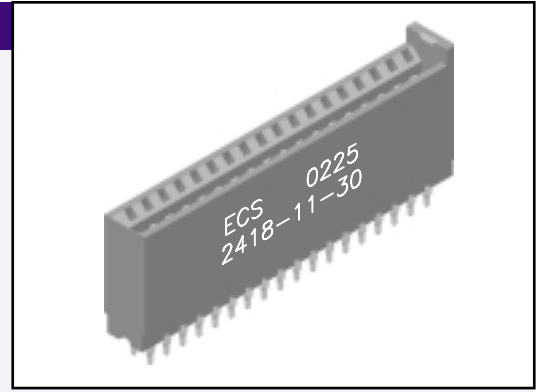
## Recommended Hole Size



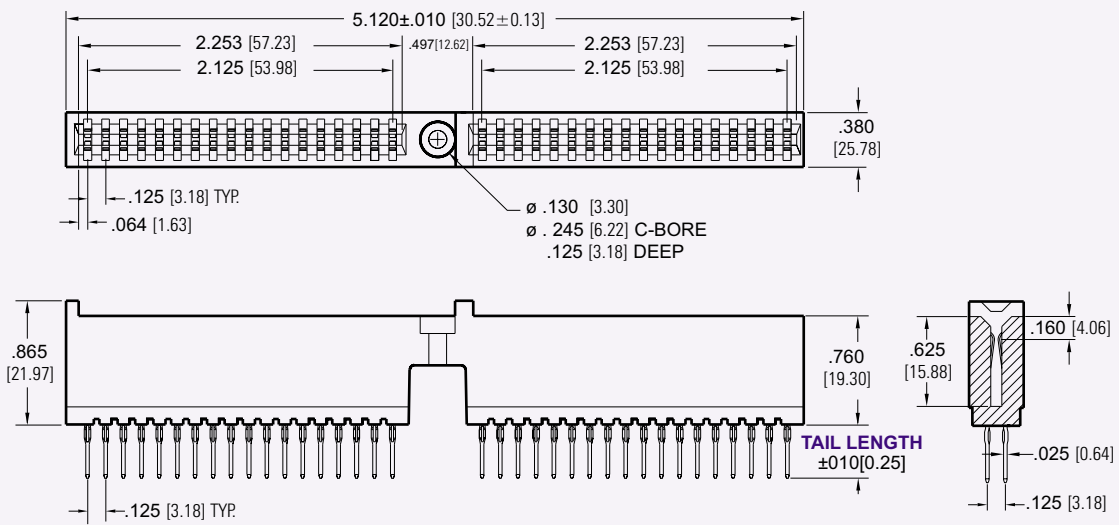
## PART NUMBERING



**.125" x .125" Contact Spacing, DEC Style**



Dimensions are in inch [mm]



Dimensions are in inch [mm]

CONSULT FACTORY FOR CONNECTORS BUILT TO YOUR SPECIFICATION