



2000 Series Card Edge Connector

.125" X .250" Contact Spacing, Press Fit

Specifications

Insulator Material: Glass filled polyester, type PBT, 94 V-O, UL Rated.

Contact Material: Phosphor Bronze Alloy

Contact Plating: Gold and/or Tin over .000050" Nickel, (See Contact Plating Options).

Current Rating: 3 amp at 30°C

Contact Resistance:
 Contact to Daughter Card: 10 m max.
 Compliant section to P.T.H.: 2 m max.

Insulation Resistance: 5000 M min.

Dielectric Withstand Voltage: 1500 V AC

Daughter Board Insertion Force: 16 oz max. per contact pair when tested with a .071" thick gage.

Daughter Board Withdrawal Force: 1 oz min. per contact pair when tested with a .054" thick gage.

Compliant Section Insertion Force: 40 lbs max per contact

Compliant Section Withdrawal Force: 10 lbs min. per contact

Recommended Board Thickness: .093"+

Recommended PCB Layout Page A-33

Operating Temperature: -54°C to +125°C

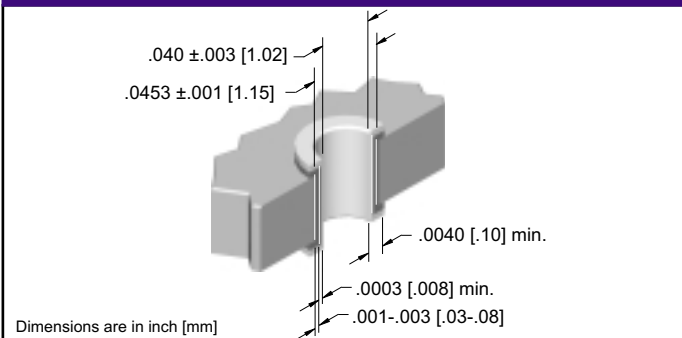


Recognized under the recognized component Program of Underwriters Laboratories, Inc.
 File Numbers: E146967 and E176234

Features

- Flat Plate Installation eliminates the need for secondary operation tooling which can damage the connector.
- Extra large chamfered entry
- Conforms to Bell-core spec TR-TSY-00078
- Extended card scoops available
- Replaceable contacts
- Molded in polarization available between contact, or on contact position.
- De-population of contacts per customer specification.
- Available in selective gold plate at contact point
- Many other custom options available, including, but not limited to:
 - Single or Both Ends Open
 - Shorting Contacts

Recommended Hole Size



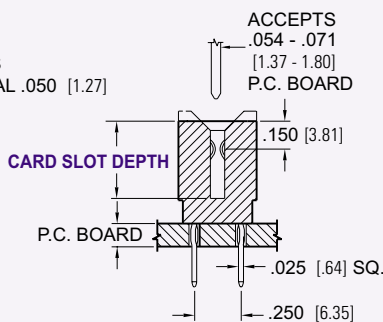
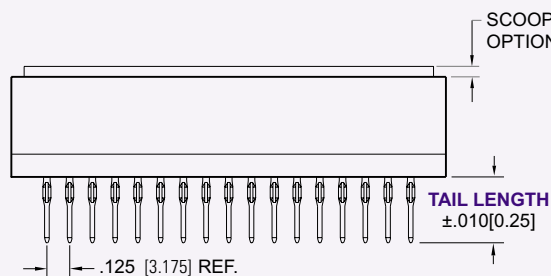
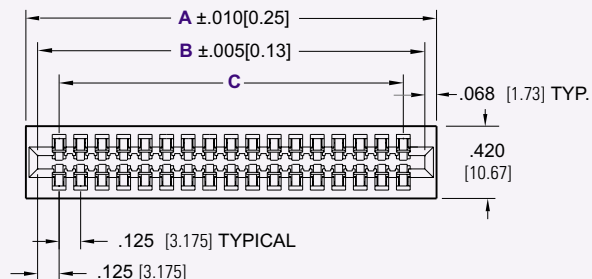
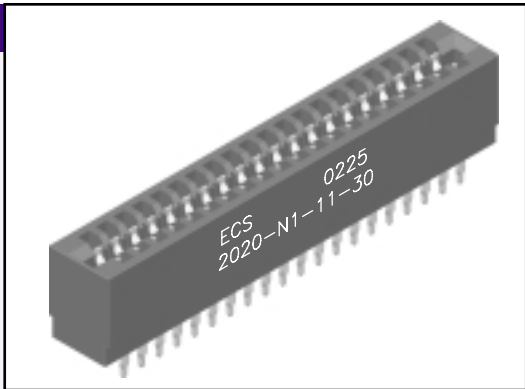
Drilled Hole Diameter	Plating Thickness	Hole Diameter	Pad Diameter
.0453±.001 [1.15]	Copper .001-.003 [.03-.08]	After Plating .040±.003 [1.02]	.065 [1.65]
	Tin / Lead .0003 [.008]min.		

NO. OF POS. / CONTACTS	A	B	C
06/12	1.011 [25.68]	0.875 [22.23]	0.625 [15.88]
10/20	1.511 [38.38]	1.375 [34.93]	1.125 [28.58]
12/24	1.761 [44.73]	1.625 [41.28]	1.375 [34.93]
16/32	2.261 [57.43]	2.125 [53.98]	1.875 [47.63]
18/36	2.511 [63.78]	2.375 [60.33]	2.125 [53.98]
20/40	2.761 [70.13]	2.625 [66.68]	2.375 [60.33]
22/44	3.011 [76.48]	2.875 [73.03]	2.625 [66.68]
25/50	3.386 [86.00]	3.250 [82.55]	3.000 [76.20]
28/56	3.761 [95.53]	3.625 [92.08]	3.375 [85.73]
30/60	4.011 [101.88]	3.875 [98.43]	3.625 [92.08]
36/72	4.761 [120.93]	4.625 [117.48]	4.375 [111.13]
38/76	5.011 [127.28]	4.875 [123.83]	4.625 [117.48]
40/80	5.261 [133.63]	5.125 [130.18]	4.875 [123.83]
43/86	5.626 [143.15]	5.500 [139.70]	5.250 [133.35]
50/100	6.511 [165.38]	6.375 [161.93]	6.125 [155.58]
51/102	6.636 [168.55]	6.500 [165.10]	6.250 [158.75]
56/112	7.261 [184.43]	7.125 [180.98]	6.875 [174.63]
60/120	7.761 [197.13]	7.625 [193.68]	7.375 [187.33]

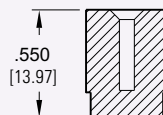
For reference only, can go 1 through 60 positions.

Dimensions are in inch [mm]

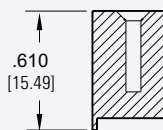
.125" x .250" Contact Spacing, Press Fit



BODY STYLE



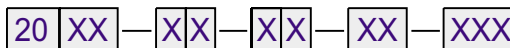
STYLE 1



STYLE 2

Dimensions are in inch [mm]

PART NUMBERING



SERIES CODE
.125" x .250" Contact Spacing

NO. CONTACT PAIRS
01 - 60

SCOOPS
S = With
N = Without

BODY STYLE
1 = .550 [13.97]
2 = .610 [15.49]

CUSTOM VARIATION
CONSULT FACTORY

TAIL LENGTH

BODY STYLE 1	BODY STYLE 2
1 = .190 [4.83]	1 = .190 [4.83]
2 = .375 [9.53]	2 = .315 [8.00]
3 = .465 [11.81]	3 = .405 [10.29]
4 = .625 [15.88]	4 = .565 [14.35]
5 = .710 [18.03]	5 = .650 [16.51]

CARD SLOT DEPTH

1 = .415 [10.54]
2 = .350 [8.89]
3 = .300 [7.62]

PLATING

50µ" Nickel Underplate

CONTACT	TAIL
10 = 10µ" Au	100µ" Sn
20 = 15µ" Au	100µ" Sn
30 = 30µ" Au	100µ" Sn
40 = 10µ" Au	5µ" Au
50 = 15µ" Au	5µ" Au
60 = 30µ" Au	5µ" Au

CONSULT FACTORY FOR CONNECTORS BUILT TO YOUR SPECIFICATION