



8500 Series Ribbon Connectors

RJ 21 Telecommunications Plug and Receptacle

Specifications

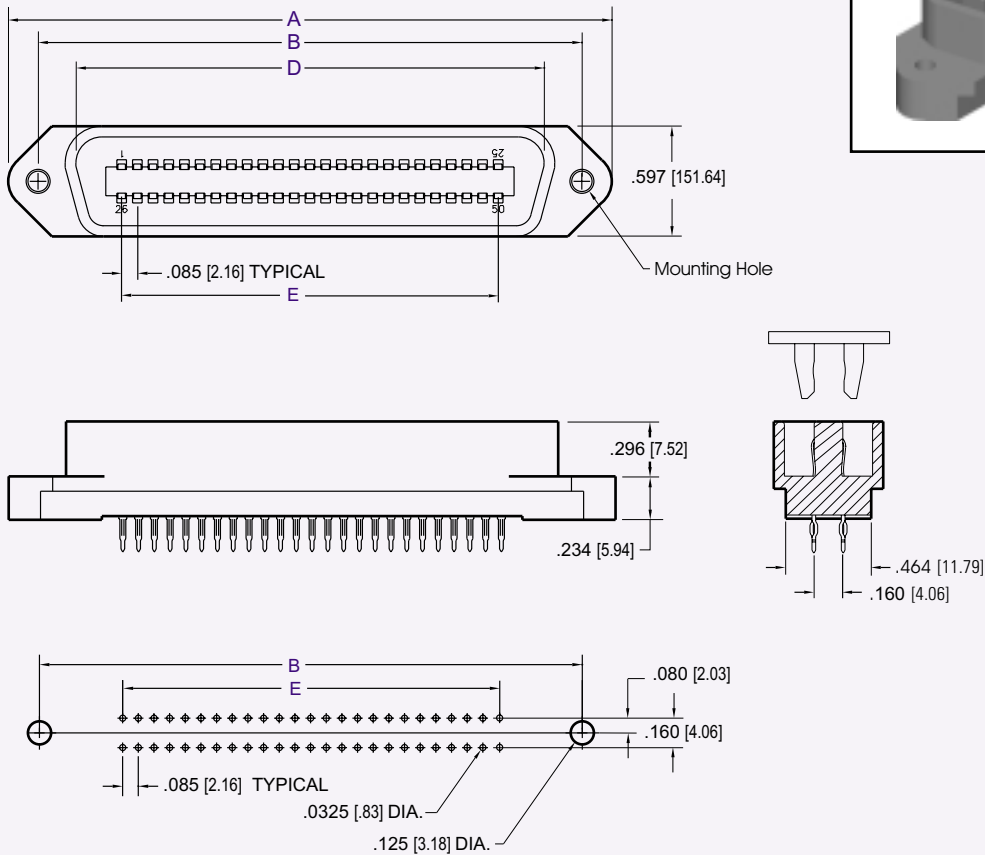
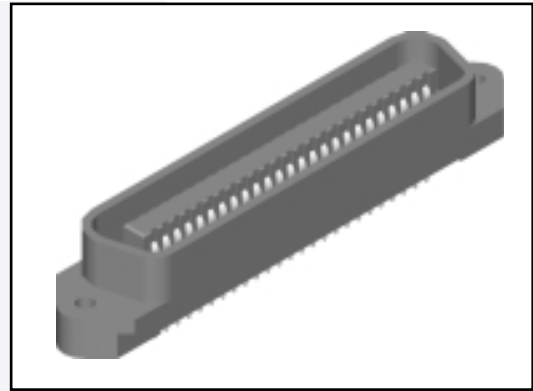
Insulator Material: Glass filled polyester, type PBT, 94-VO, UL Recognized.
Contact Material: Phosphor Bronze Alloy CA510
Contact Plating: Gold over 50 μ m Nickel, and Tin Lead (See part numbering for thicknesses).
Current Rating: 3 amp at 30°C
Contact Resistance:
 Contact to Daughter Card:
 10m ohms
 Compliant section to P.T.H.:
 2m ohms
Insulation Resistance:
 5000M ohms
Dielectric Withstand Voltage:
 1000 V AC
Compliant Section Insertion Force:
 40 lbs max per contact
Compliant Section Withdrawal Force:
 10 lbs min per contact
Hole Size Requirements:
 Drilled Hole Dia.: .0378 \pm .001
 Plating: .001 to .003 copper and .0003 min Tin Lead.
Finished Hole Diameter:
 .032 - .035
Recommended Board Thickness: .093 to .125

Features

- Flat Plate Installation to eliminate the need for secondary operation tooling which can damage the connector when installed into motherboard.
- Available with through-hole 4-40 insert or 4-40 stand-off mounting hardware.
- Available in selective gold plate at contact point
- Many other custom options available, consult factory

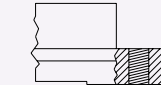


Recognized under the recognized component Program of Underwriters Laboratories, Inc.

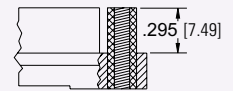


Dimensions are in inches [mm]

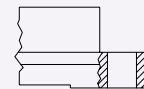
MOUNTING OPTIONS



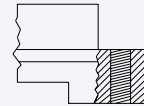
1 = #4-40 FLUSH INSERT



2 = #4-40 STAND-OFF OPTION



3 = THRU HOLE



4 = #4-40 STAND-OFF

NO. OF CONTACTS	A	B	C	D	E
25/50	3.270 / 83.06	2.946 / 74.83	2.520 / 64.01	2.536 / 64.41	2.040 / 51.82
32/64	3.865 / 98.17	3.541 / 89.94	3.115 / 79.12	3.131 / 79.53	2.635 / 66.93

Dimensions are in inches [mm]

PART NUMBERING

85 XX - PXX - XX

SERIES CODE

.085 X .160 Centers

NO. CONTACT PAIRS

25, 32

CONNECTOR STYLE

P = Plug

TAIL LENGTH

- 1 = .180 [4.57] Press-Fit
- 2 = .300 [7.62] Press-Fit
- 3 = .100 [2.54] Surface Mount
- 4 = .180 [4.57] Solder

MOUNTING OPTIONS

- 1 = #4-40 Flush Insert
- 2 = #4-40 Stand-Off Option
- 3 = Ø 0.125 Thru Hole
- 4 = Stand Off
- 8 = #4-40 tapped hole

PLATING

50µ" Nickel Underplate

Mating Area

- 05 = Au Flash
- 20 = 15µ" Gold
- 30 = 30µ" Gold

Tail

- 100µ" Tin Lead
- 100µ" Tin Lead
- 100µ" Tin Lead

CONSULT FACTORY FOR CUSTOM CONNECTORS BUILT TO YOUR SPECIFICATION