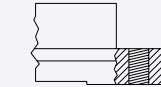
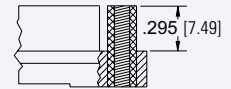


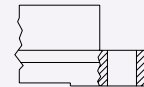
MOUNTING OPTIONS



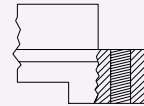
1= #4-40 FLUSH INSERT



2= #4-40 STAND-OFF OPTION



3= THRU HOLE



4= #4-40 STAND-OFF

NO. OF CONTACTS	A	B	C	D	E
25/50	3.270 / 83.06	2.946 / 74.83	2.520 / 64.01	2.536 / 64.41	2.040 / 51.82
32/64	3.865 / 98.17	3.541 / 89.94	3.115 / 79.12	3.131 / 79.53	2.635 / 66.93

Dimensions are in inches [mm]

PART NUMBERING



SERIES CODE

.085 X .160 Centers

NO. CONTACT PAIRS

25, 32

CONNECTOR STYLE

R = Receptacle

TAIL LENGTH

- 1 = .180 [4.57] Press-Fit
- 2 = .300 [7.62] Press-Fit
- 3 = .100 [2.54] Surface Mount
- 4 = .180 [4.57] Solder

MOUNTING STYLE

- 1 = #4-40 Flush Insert
- 2 = #4-40 Stand-Off Option
- 3 = .125 dia. Thru Hole
- 4 = Stand Off
- 8 = #4-40 tapped hole

PLATING

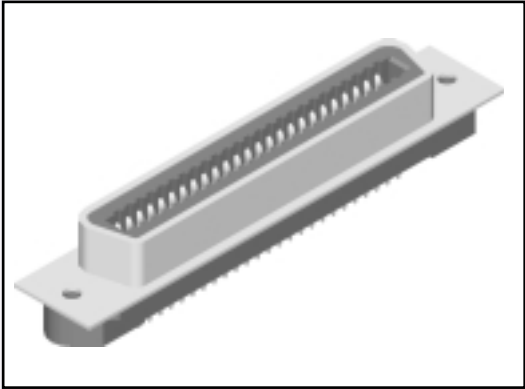
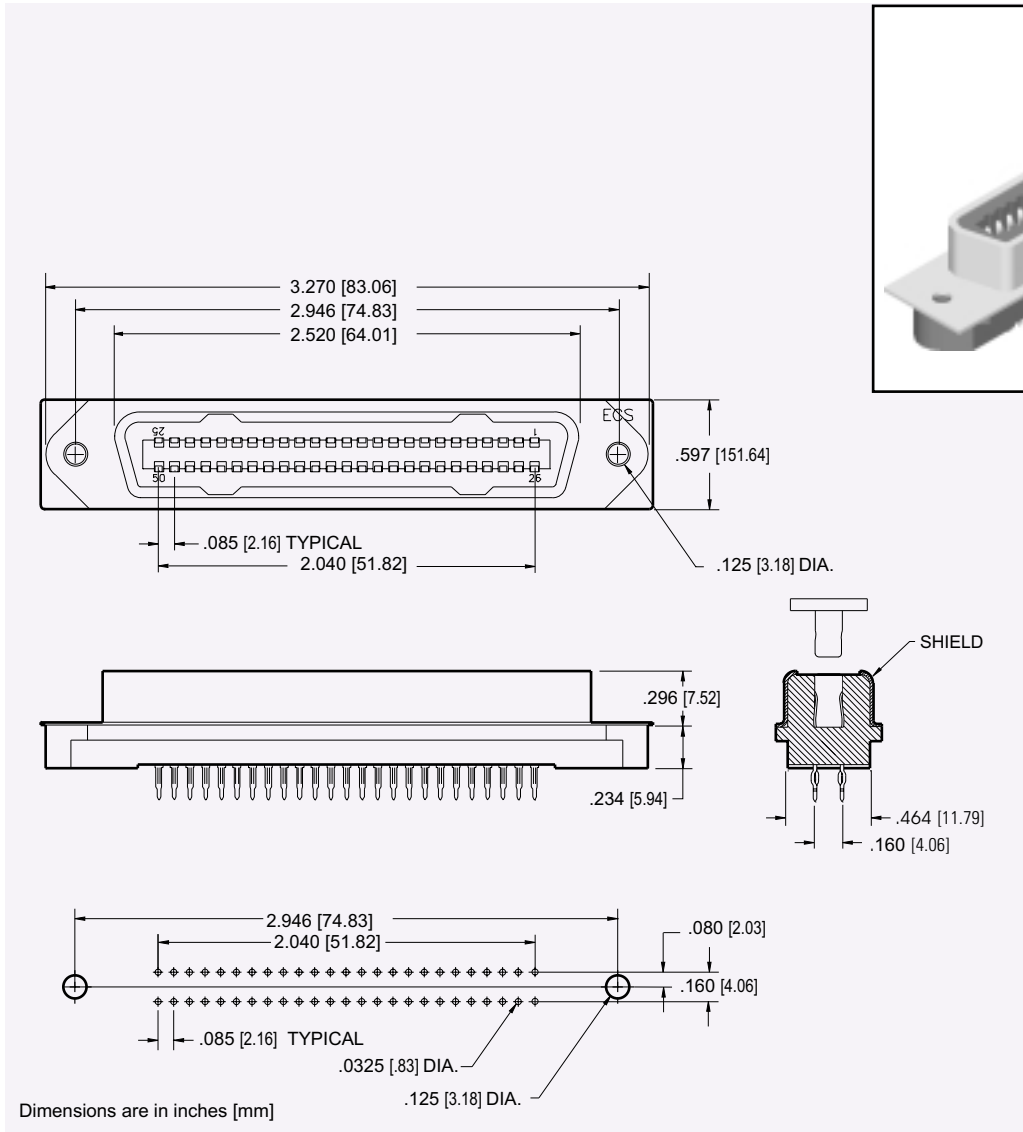
50µ" Nickel Underplate

Mating Area

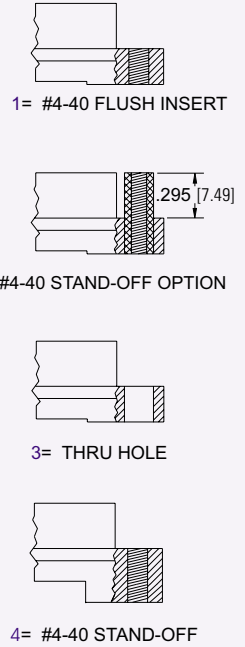
- 05 = Au Flash
- 20 = 15µ" Gold
- 30 = 30µ" Gold

Tail

- 100µ" Tin Lead
- 100µ" Tin Lead
- 100µ" Tin Lead



MOUNTING OPTIONS



Dimensions are in inches [mm]

PART NUMBERING



SERIES CODE

.085 X .160 Centers

NO. CONTACT PAIRS

25

CONNECTOR STYLE

R = Receptacle

PLATING

50µ" Nickel Underplate

Mating Area	Tail
05 = Au Flash	100µ" Tin Lead
20 = 15µ" Gold	100µ" Tin Lead
30 = 30µ" Gold	100µ" Tin Lead

TAIL LENGTH

- 1 = .180 [4.57] Press-Fit
- 2 = .300 [7.62] Press-Fit
- 3 = .100 [2.54] Surface Mount
- 4 = .180 [4.57] Solder

MOUNTING OPTIONS

- 1 = #4-40 Flush Insert
- 2 = #4-40 Stand-Off Option
- 3 = .125 dia. Thru Hole
- 4 = Stand Off
- 8 = #4-40 tapped hole