



8500 Series Ribbon Connectors Plug and Receptacle for Cable

Specifications

Insulator Material: Glass filled polyester, Thermoplastic, 94-VO, UL Recognized.
Contact Material: Phosphor Bronze Alloy CA510
Contact Plating: Gold over 50 μ " Nickel, and Tin Lead (See part numbering for thicknesses).
Contact Resistance: 20m ohms max. at 1 AMP DC.
Insulation Resistance: 1000M ohms at 500 V DC.
Dielectric Withstand Voltage: 1000 V AC/rms 60Hz for 1 min.
Current Rating: 5 AMP.
Voltage Rating: 250 V AC/rms at 60Hz.
Shell Plating: Steel, 100 μ " Tin over 50 μ " min. Nickel.

Features

- Available in selective gold plate at contact point
- Many other custom options available, consult factory



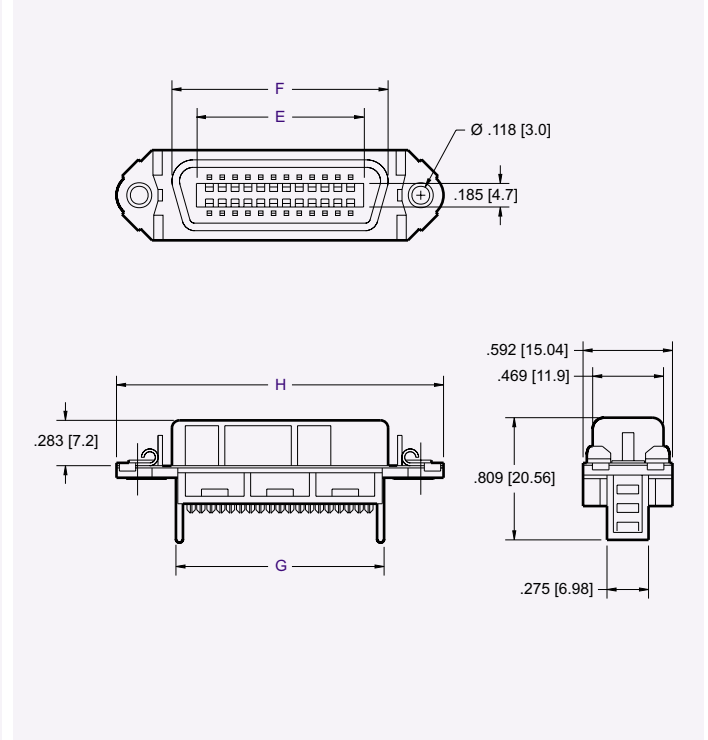
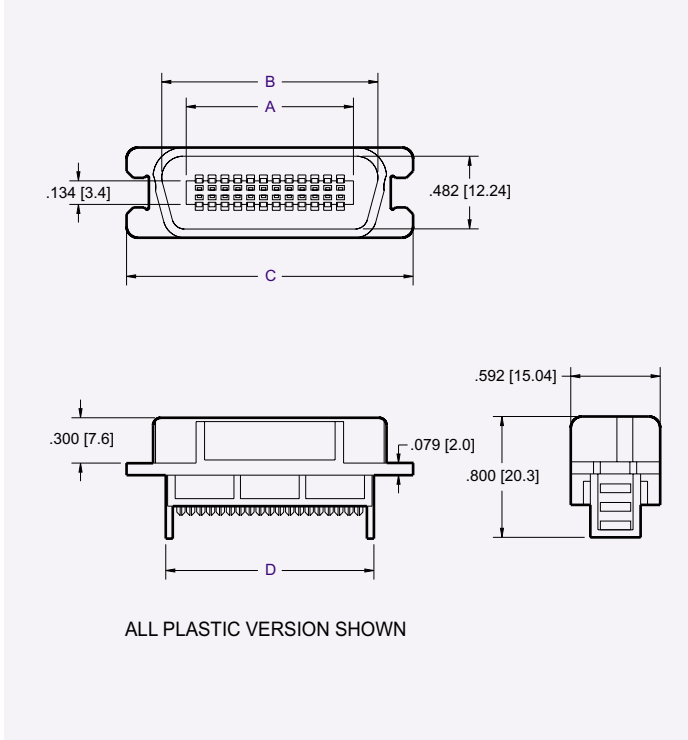
Recognized under the recognized component Program of Underwriters Laboratories, Inc.



PLUG



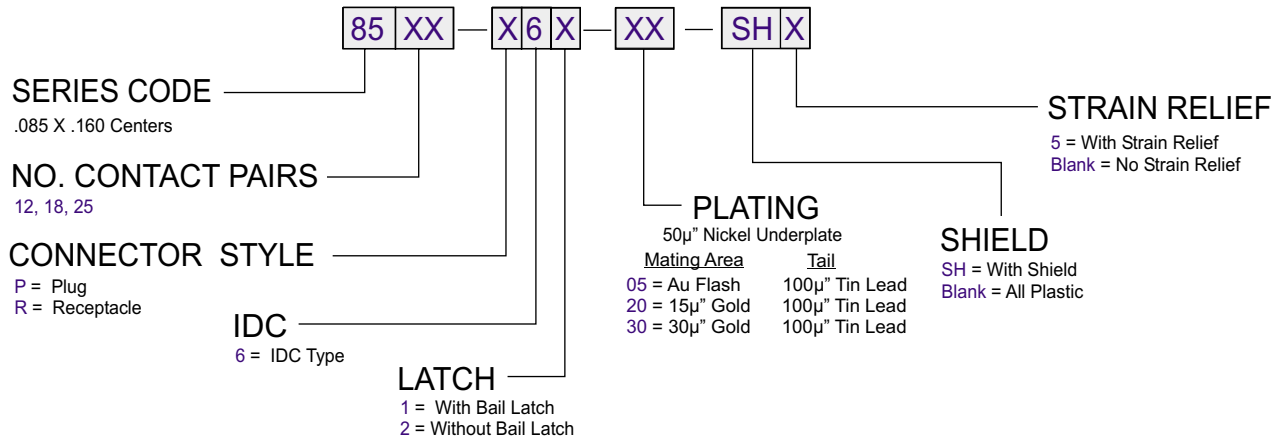
RECEPTACLE



CONTACTS	A	B	C	D	E	F	G	H
24	1.104 [28.04]	1.439 [36.56]	1.897 [48.18]	1.378 [35.00]	1.106 [28.10]	1.417 [36.00]	1.387 [35.24]	2.165 [55.00]
36	1.608 [40.86]	1.941 [49.30]	1.925 [48.90]	2.008 [51.00]	1.629 [41.38]	1.925 [48.90]	1.972 [50.08]	2.676 [67.96]
50	2.200 [55.88]	2.531 [64.30]	2.996 [76.10]	3.260 [82.80]	2.221 [56.40]	2.524 [64.10]	2.712 [68.88]	3.278 [83.26]

DIMENSIONS ARE IN INCHES & [MM]

PART NUMBERING



CONSULT FACTORY FOR CUSTOM CONNECTORS BUILT TO YOUR SPECIFICATION