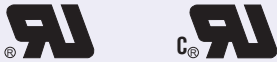


# .079 [2.00] SOCKET, SIDE ENTRY



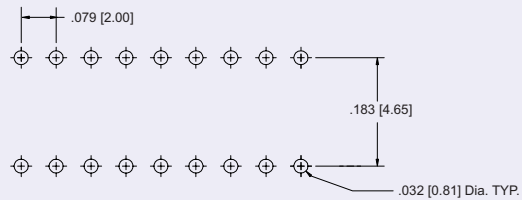
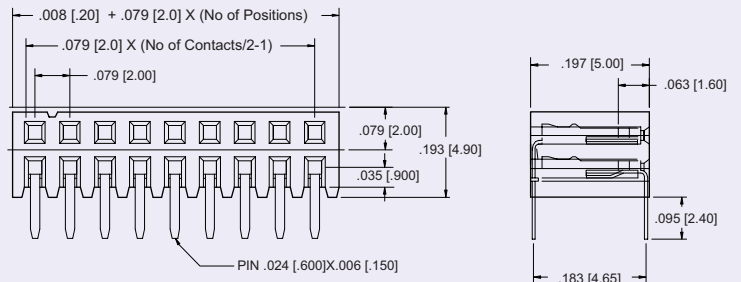
## Specifications

Current Rating: 1 Amps  
 Insulator Resistance: 5000 Megohms min  
 Contact Resistance: 20m ohms max  
 Dielectric Withstanding: AC 500V  
 Operating Temperature: -40° ~± 105° C  
 Contact Material: Phosphor Bronze  
 Insulator Material: Polyester, UL 94V-0 Nylon-6T



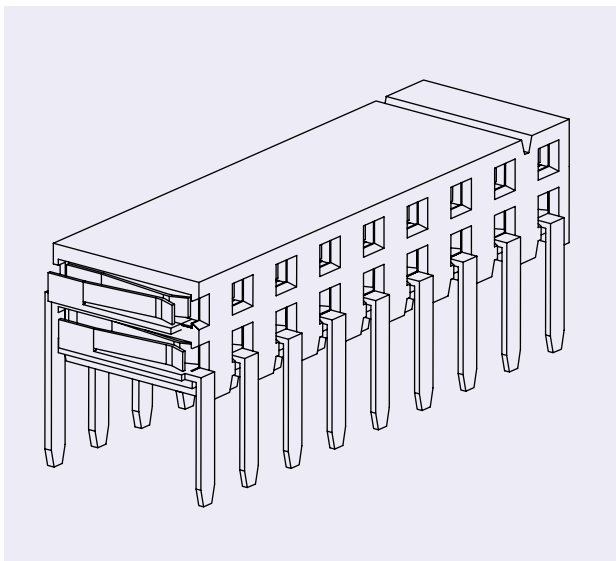
Recognized under the recognized component Program of Underwriters Laboratories, Inc. Products specifications are subject to be changed without notice.

For drawings, technical data or samples, contact E.C.S. at (714) 895-6351

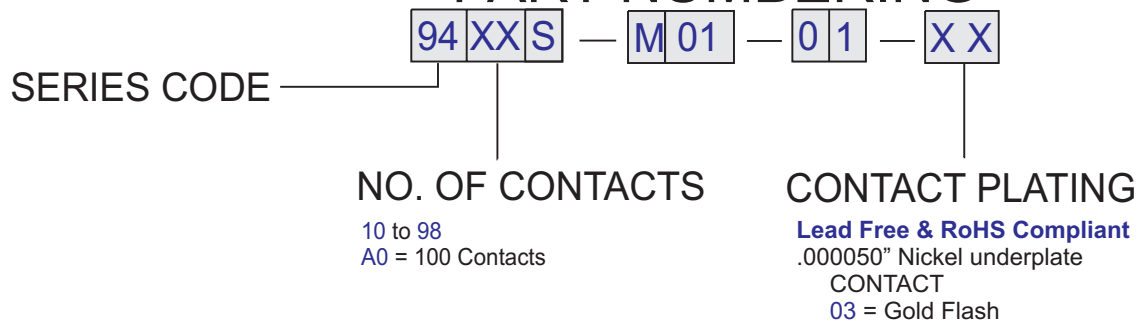


Recommended P.C.B Layout

Dimensions are in inches [mm]



## PART NUMBERING



CONSULT FACTORY FOR CONNECTORS BUILT TO YOUR DESIGN