

.100 [2.54] SOCKET, SIDE ENTRY



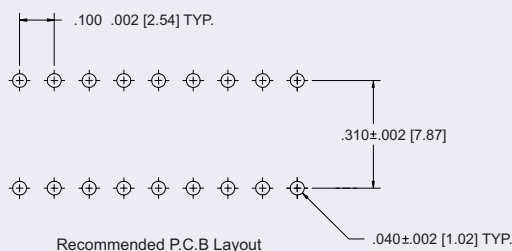
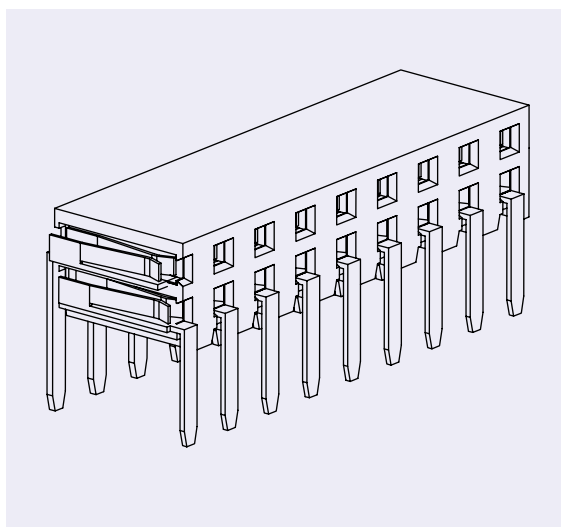
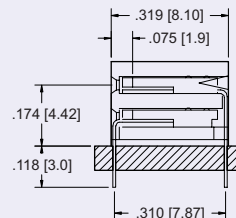
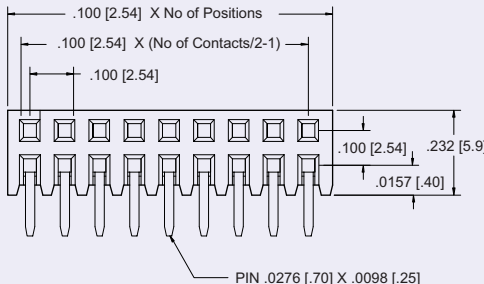
Specifications

Current Rating: 3 Amps
 Insulator Resistance: 5000 Megohms min
 Contact Resistance: 20m ohms max
 Dielectric Withstanding: AC 500V
 Operating Temperature: -40° ~± 105° C
 Max Processing Temp: 230° C to 60 seconds
 Contact Material: Phosphor Bronze
 Insulator Material: Polyester, UL 94V-0, PBT
 Finish: See Contact Plating



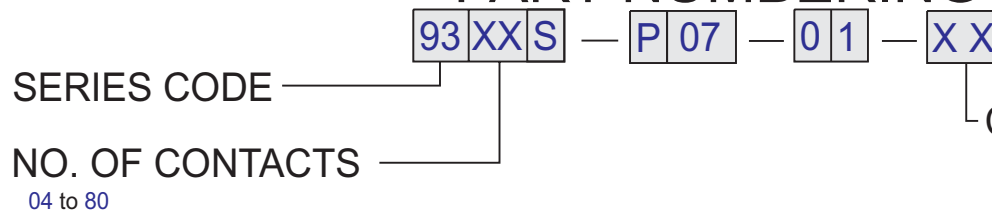
Recognized under the recognized component Program of Underwriters Laboratories, Inc.

Products specifications are subject to be changed without notice.



Dimensions are in inches [mm]

PART NUMBERING



CONTACT PLATING

Lead Free & RoHS Compliant

.000050" Nickel underplate
CONTACT TAIL

03 = Gold Flash	
80 = 10µ" Gold	
85 = 15µ" Gold	
90 = 30µ" Gold	
70 = 100µ" Sn	
75 = Au Flash	100µ" Sn
15 = 10µ" Au	100µ" Sn
25 = 15µ" Au	100µ" Sn
35 = 30µ" Au	100µ" Sn

CONSULT FACTORY FOR CONNECTORS BUILT TO YOUR DESIGN