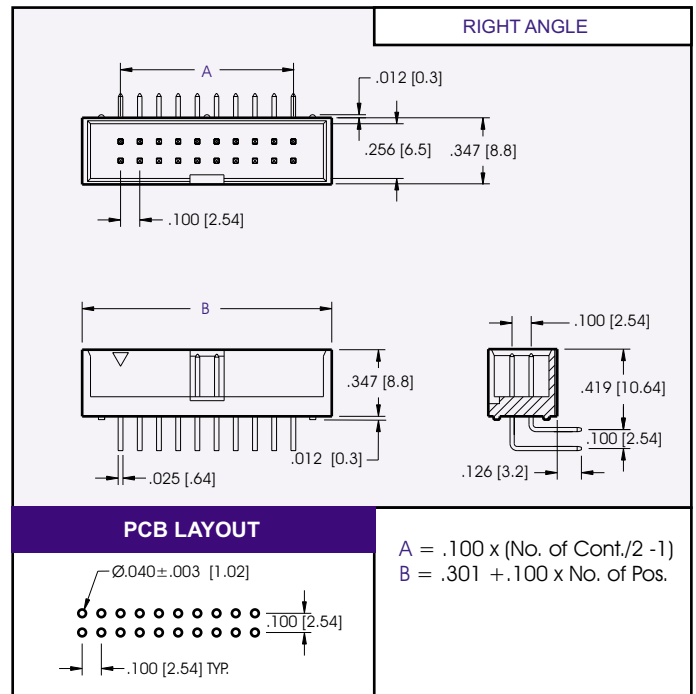
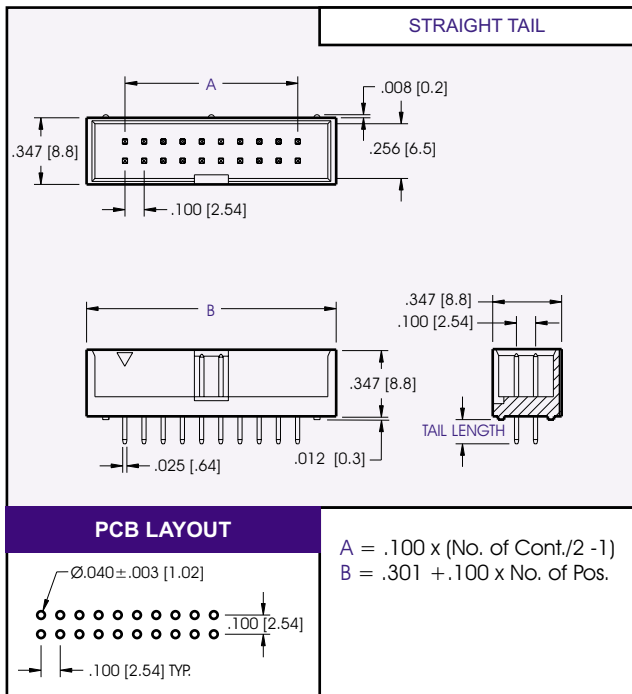
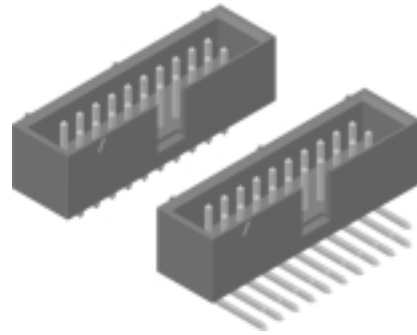




# 9300 Series Headers .100 [2.54] Box Headers

## Specifications

Insulator Material: Glass filled polyester, Type PBT  
 94V-O, UL Recognized.  
 Contact Material: Copper Alloy  
 Contact Plating: Gold and/or Tin over .000050" Ni  
 (See contact plating options).  
 Insulation Resistance: 5000 M ohms min.  
 Dielectric Withstand Voltage: VAC 1000  
 Current Rating: 3 AMP  
 Operating Temperature: -40°C to +105°C  
 UL File Numbers: E146967 & E176234

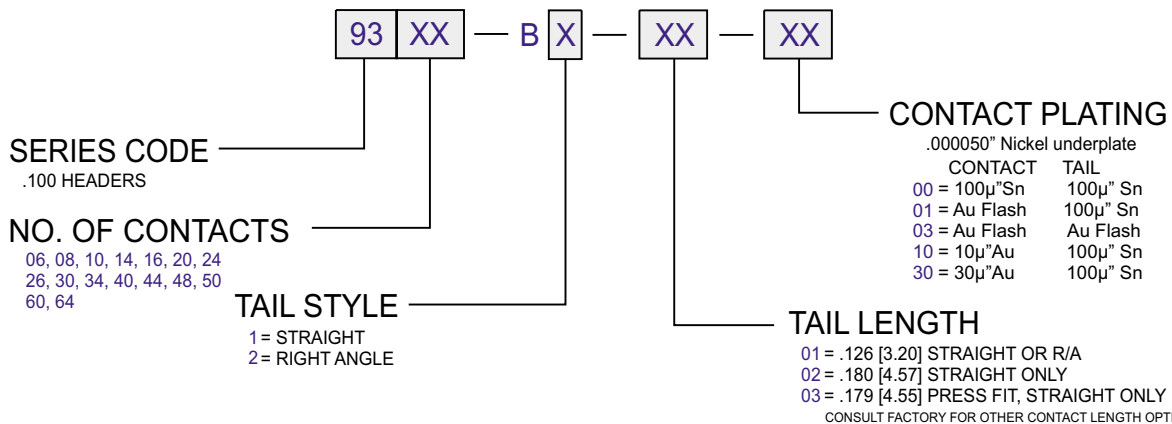


ALL DIMENSIONS ARE IN INCHES [MM]

**SUGGESTED MATING CONNECTORS**

93XXS-GX-X1-XX (PAGE F-49)  
 92XXS-XXX-XX (PAGE F-51)

## PART NUMBERING



CONSULT FACTORY FOR CONNECTORS BUILT TO YOUR SPECIFICATION