

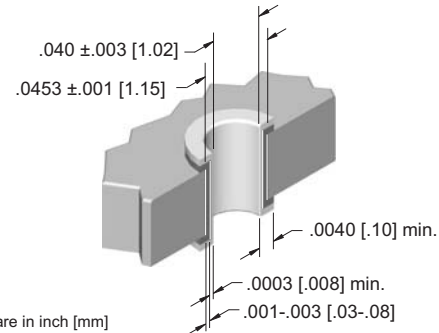
6900 Series 4 Row HDI Connector



Specifications

Insulator Material: Glass filled polyester, type PBT, 94 V-O, UL Rated.
 Contact Material: Copper Alloy
 Contact Plating: Gold and/or Tin over .000050" Nickel, (See Contact Plating Options).
 Current Rating: 3 amp at 30°C
 Contact Resistance: $\leq 20\text{m } \Omega$
 Insulation Resistance: $\geq 10^{12}\text{ m } \Omega$ at 100 VDC
 Dielectric Strength: $\leq 1000\text{ VDC}$
 Compliant Section Insertion Force: 40 lbs max per contact
 Compliant Section Withdrawal Force: 10 lbs min. per contact
 Recommended Board Thickness: .093"+
 Operating Temperature: -65°C to +125C
 Current Range at +20C = 3 amp
 Ambient Temp. Of +70C = 2 amp
 +100C = 1 amp

Recommended Hole Size



Drilled Hole Diameter	Plating Thickness	Hole Diameter	Pad Diameter
.0453±.001 [1.15]	Copper .001-.003 [.03-.08]	After Plating .040±.003 [1.02]	.065 [1.65]
	Tin / Lead .0003 [.008]min.		

CONTACTS	A	B	C	D
100	60.96 [2.400]	64.77 [2.550]	74.93 [2.950]	82.55 [3.250]
120	73.66 [2.900]	77.47 [3.050]	87.63 [3.450]	95.25 [3.750]
128	78.74 [3.100]	82.55 [3.250]	92.71 [3.650]	100.33 [3.950]
140	86.36 [3.400]	90.17 [3.550]	100.33 [3.950]	107.95 [4.250]
160	99.06 [3.900]	102.87 [4.050]	113.03 [4.450]	120.65 [4.750]
180	111.76 [4.400]	115.57 [4.550]	125.73 [4.950]	133.35 [5.250]
200	124.46 [4.900]	128.27 [5.050]	138.43 [5.450]	146.05 [5.750]
220	137.16 [5.400]	140.97 [5.550]	151.13 [5.950]	158.75 [6.250]
240	149.86 [5.900]	153.67 [6.050]	163.83 [6.450]	171.45 [6.750]
260	162.56 [6.400]	166.37 [6.550]	176.53 [6.950]	184.15 [7.250]
280	175.26 [6.900]	179.07 [7.050]	189.23 [7.450]	196.85 [7.750]

CONNECTOR PERFORMANCE LEVELS

Level 1 (per DIN 41612 Part 5)

500 mating cycles
 21 Days SO₂ gas test
 250 mating Cycles
 Measurement of contact resistance, followed by visual inspection. Level 1 connectors show no abrasion of the contact finish.

Level 2 (per DIN 41612 Part 5)

400 mating cycles
 4 Days SO₂ gas test
 200 mating Cycles
 Measurement of contact resistance, followed by visual inspection. Level 2 connectors show no abrasion of the contact finish.

Level 3 (per DIN 41612 Part 5)

50 mating cycles
 Visual Inspection (no gas test)
 Measurement of contact resistance, followed by visual inspection. Level 3 connectors show no abrasion of the contact finish.

APPROVALS



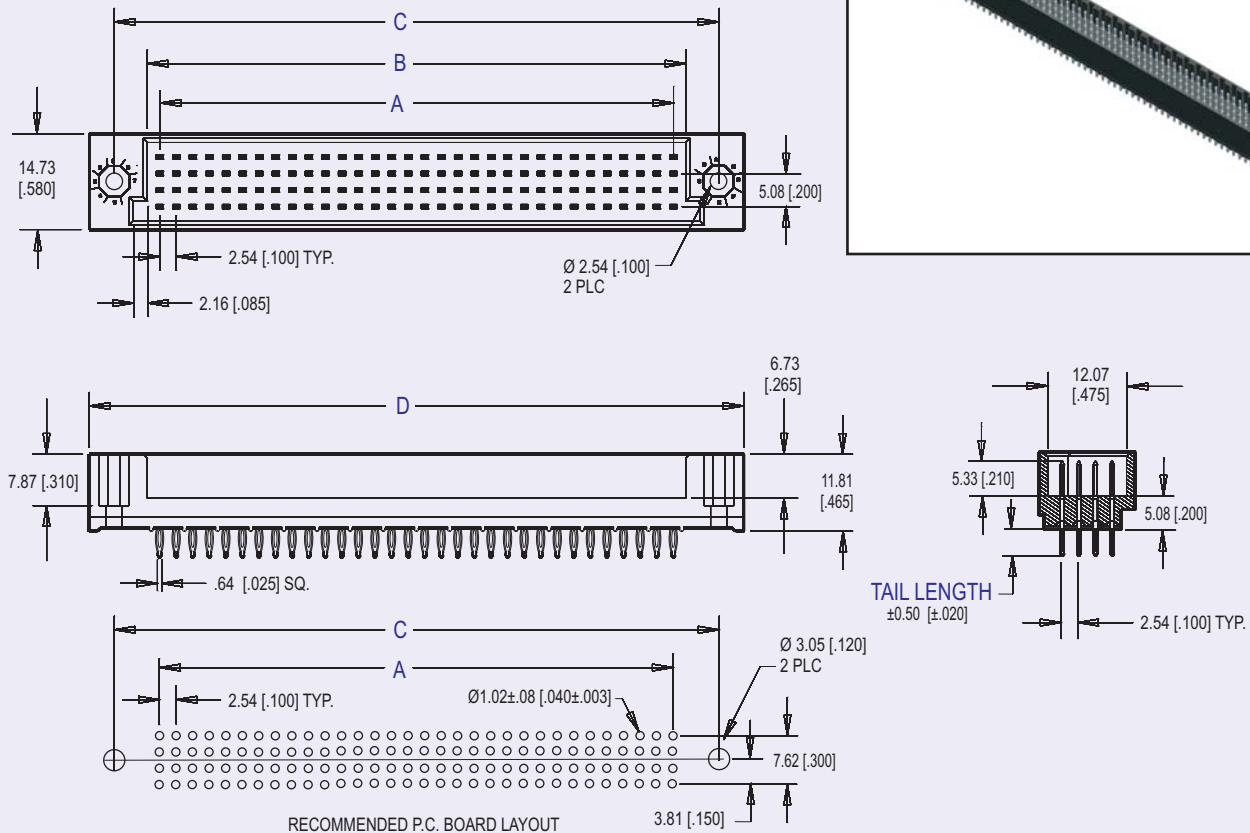
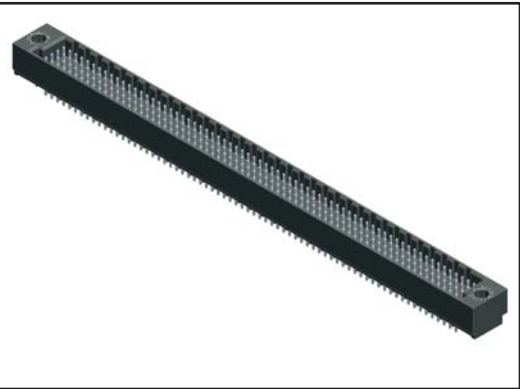
Recognized under the recognized component Program of Underwriters Laboratories, Inc.
 File Numbers: E176234

ISO 9001:2000 registered

Bellcore GRE 1217 CORE

Connectors are available that meet the requirements of Bellcore GRE-1217-CORE. Please consult factory for ordering information.

4 ROW HDI CONNECTOR, 2.54 [.100] Contact Spacing



Dimensions are in mm [inch]

RECOMMENDED P.C. BOARD LAYOUT

PART NUMBERING



SERIES CODE

Male HDI

NUMBER OF ROW

D = 4

NUMBER OF CONTACTS

100, 120, 128, 140, 160, 180, 200, 240, 260, 280

CONTACT ARRANGEMENT

A = Row A, B, C and D fully populated

Note: Press Fit Connectors required a press in tool.
Consult Factory for Press In Tool information.

Special Designation

TAIL PLATING

- 1 = Tin Lead
- 2 = Class 3 (.200" from pin tip)
- 3 = Class 1 (.200" from pin tip)
- 4 = Class 2 (.200" from pin tip)
- 5 = Tin (RoHS Compliant)

MATING AREA PLATING

- 1 = Class 1
- 2 = Class 2
- 3 = Class 3

TAIL LENGTH

- 1 = 4.67 [.184] Press-Fit
- 2 = 13.00 [.512] Press-Fit
- 3 = 17.00 [.669] Press-Fit
- 4 = 20.90 [.823] Press-Fit
- 5 = 2.90 [.114] Dip Solder
- 6 = 4.50 [.177] Dip Solder
- 7 = 13.00 [.512] Dip Solder Wire Wrap

CONTACT TYPE

- 1 = All pins the same
- 2 = EM/LB pins included
(part number must have a suffix)

CONSULT FACTORY FOR CONNECTORS BUILT TO YOUR SPECIFICATION