



63 Series Pinless Backplane Shroud Type TE, TE/2, TE/3

Specifications

Insulator Material: Glass filled polyester, type PBT,
94 V-O, UL Rated.
Insulation Resistance: 12
10¹² m Ohms
Dielectric Strength:
500 VDC (Sea Level)
Temperature Rating:
-55° C to 125° C



Recognized under the recognized component Program of Underwriters Laboratories, Inc.

For drawings, technical data or samples, contact E.C.S. at 714/895-6351

Features

- Interference Fit Mounting eliminates the need for additional Mounting Hardware.
- Shrouds are removable, facilitating field repairability.
- Eight sizes accommodate 3 wrap-post lengths used in a wide range of PCBs.
- Shroud retained on .61 - .64 [.024 - .025] square posts.

The pin less backplane shroud provides board-to board interconnections from the DIN type TE or E connector to a second DIN connector interface.

The shrouds accommodate a variety of extended contact lengths to provide a versatile, rear panel connection system.

PART NUMBERING

63 — X XXX — X

SERIES CODE

Type TE, TE/2, TE/3 Shroud

COLOR

B = Black
G = Gray / Natural

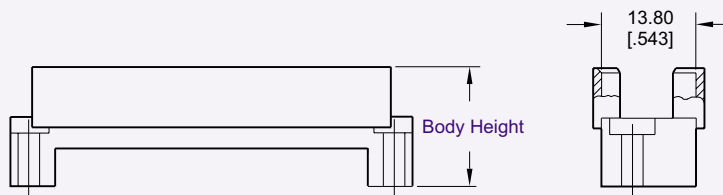
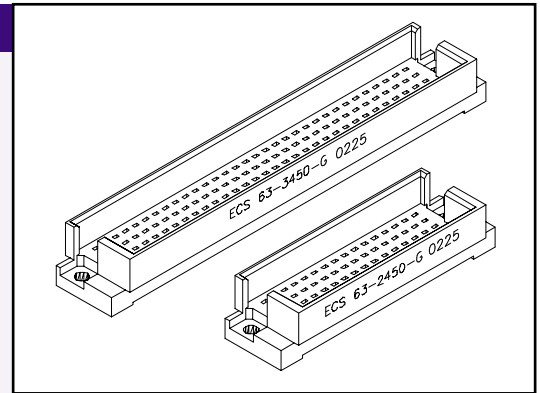
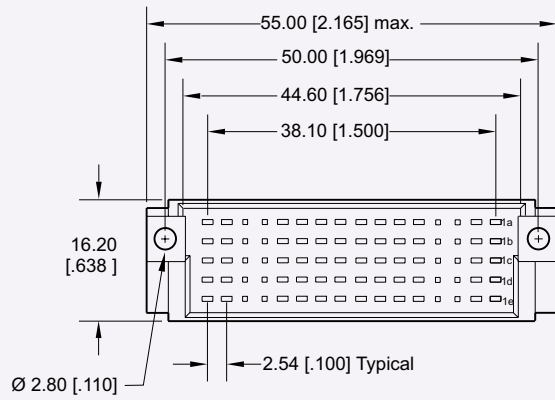
BODY STYLE

1 = TE/3 (50 positions) not shown
2 = TE/2 (80 positions)
3 = TE (160 positions)

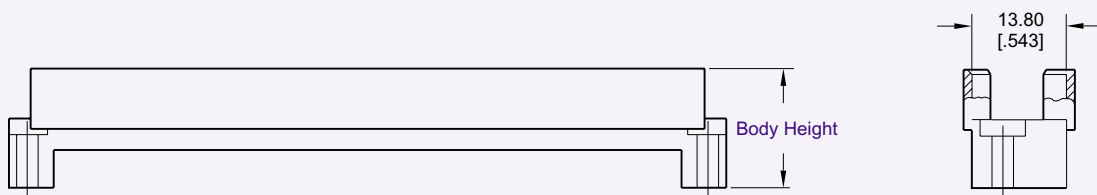
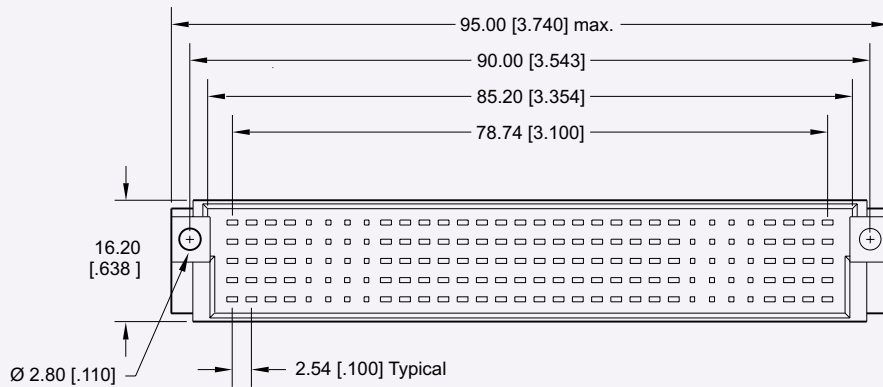
BODY HEIGHT

350 = 08.89 [.350]	600 = 15.24 [.600]
450 = 11.43 [.450]	630 = 16.02 [.630]
500 = 12.70 [.500]	680 = 17.27 [.680]
550 = 13.97 [.550]	750 = 19.05 [.750]

Type TE/2, 80 Positions



Type TE, 160 Positions



Dimensions are in mm [inches]

CONSULT FACTORY FOR CONNECTORS BUILT TO YOUR DESIGN