



# 61 Series Pinless Backplane Shroud Type R, R/2, R/3

## Specifications

Insulator Material: Glass filled polyester, type PBT,  
94 V-O, UL Rated.  
Insulation Resistance: 12  
10<sup>12</sup> m Ohms  
Dielectric Strength:  
500 VDC (Sea Level)  
Temperature Rating:  
-55° C to 125° C



Recognized under the recognized component  
Program of Underwriters Laboratories, Inc.

For drawings, technical data or samples,  
contact E.C.S. at 714/895-6351

## Features

- Interference Fit Mounting eliminates the need for additional Mounting Hardware.
- Shrouds are removable, facilitating field repairability.
- Eight sizes accommodate 3 wrap-post lengths used in a wide range of PCBs.
- Shroud retained on .61 - .64 [.024 - .025] square posts.

The pin less backplane shroud provides board-to board interconnections from the DIN type R or C connector to a second DIN connector interface.

The shrouds accommodate a variety of extended contact lengths to provide a versatile, rear panel connection system.

## PART NUMBERING

61 — X XXX — X

### SERIES CODE

41612 Type R, R/2, R/3 Shroud

### COLOR

B = Black  
G = Gray / Natural

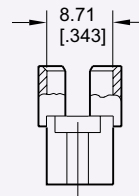
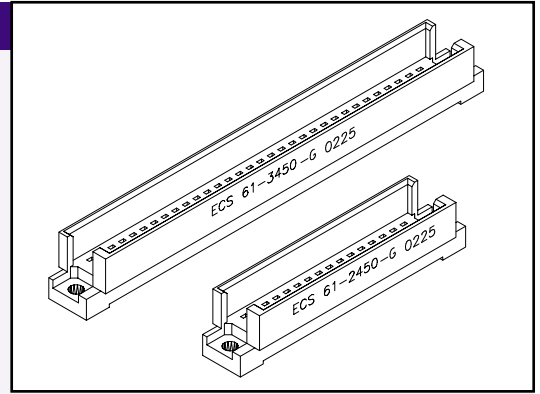
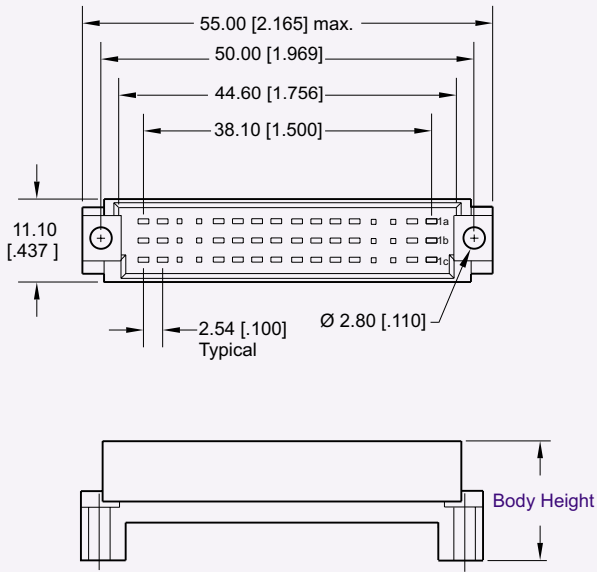
### BODY STYLE

- 1 = R/3 (30 positions)
- 2 = R/2 (48 positions)
- 3 = R (96 positions)
- 4 = R extended (120 positions)
- 5 = R extended (150 positions)

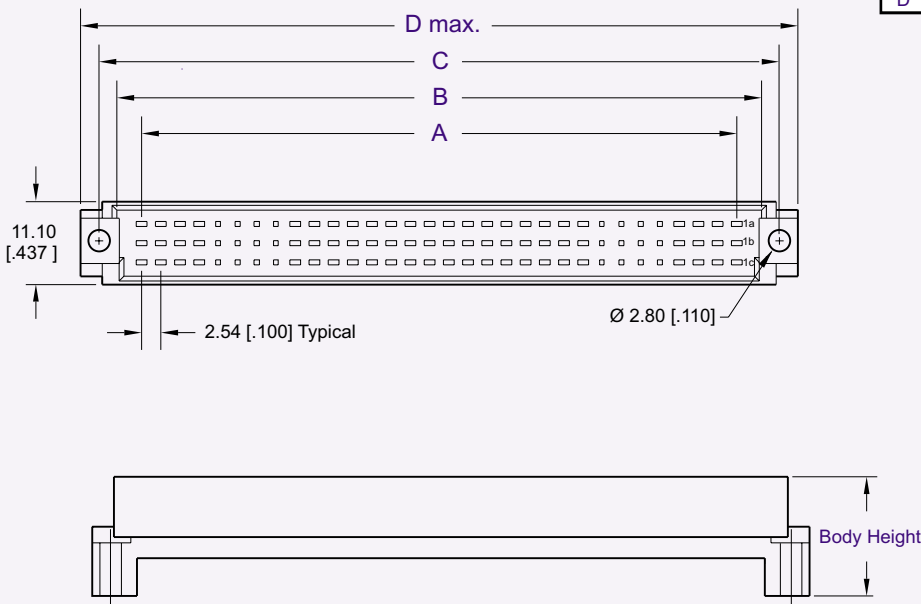
### BODY HEIGHT

350 = 08.89 [.350]	600 = 15.24 [.600]
450 = 11.43 [.450]	630 = 16.02 [.630]
500 = 12.70 [.500]	680 = 17.27 [.680]
550 = 13.97 [.550]	750 = 19.05 [.750]

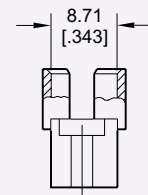
## Type R/2, 48 Positions



## Type R and Extended R



Dim.	96 Contacts	120 Contacts	150 Contacts
A	78.74 [3.100]	99.06 [3.900]	124.46 [4.900]
B	85.20 [3.354]	105.51 [4.154]	130.91 [5.154]
C	90.00 [3.543]	110.31 [4.343]	135.71 [5.343]
D	95.00 [3.740]	115.32 [4.540]	140.72 [5.540]



Dimensions are in mm [inches]

CONSULT FACTORY FOR CONNECTORS BUILT TO YOUR DESIGN