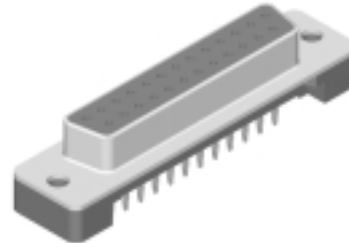
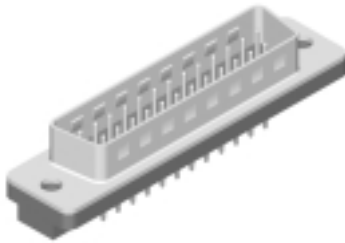


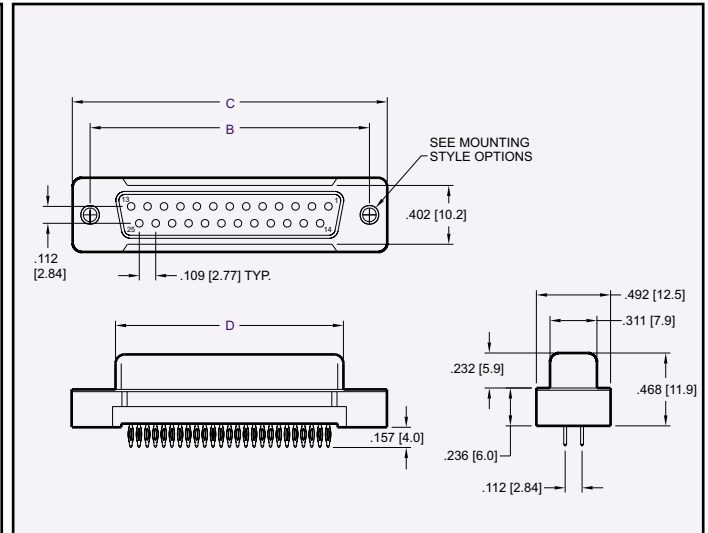
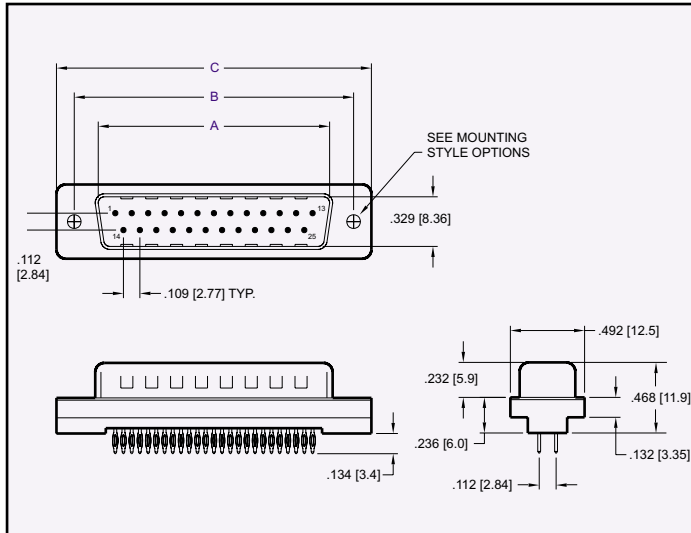


8000 Series D-Subminiature Vertical Standard Profile Press Fit



PLUG

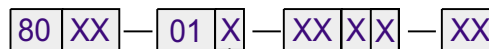
RECEPTACLE



| NO. OF CONTACTS | A | B | C | D |
|-----------------|---------------|---------------|---------------|---------------|
| 09 | 0.666 [16.92] | 0.984 [25.00] | 1.213 [30.81] | 0.642 [16.33] |
| 15 | 1.004 [25.50] | 1.312 [33.32] | 1.541 [39.14] | 0.969 [24.66] |
| 25 | 1.534 [38.96] | 1.852 [47.04] | 2.088 [53.04] | 1.508 [38.38] |
| 37 | 2.182 [55.42] | 2.500 [63.50] | 2.729 [69.32] | 2.157 [54.84] |

Dimensions are in inches [mm]

PART NUMBERING



SERIES CODE

NO. OF CONTACTS
09, 15, 25, 37

CONNECTOR TYPE
P = Plug
S = Receptacle

MOUNTING STYLE OPTIONS
See Page E-05 For Options
00 = .120 dia. Thru Holes
02 = #4-40 Threaded Insert
03 = #4-40 Threaded Insert with # 4-40 UNC Screw Lock
15 = #4-40 Threaded Insert with Board Lock
16 = #4-40 Screw Lock with Board Lock
Consult Factory for other Mounting Options

CONTACT PLATING
50µ" Nickel Underplate

| | |
|--------------------|----------------|
| Mating Area | Tail |
| 05 = Au Flash | 100µ" Tin Lead |
| 20 = 15µ" Gold | 100µ" Tin Lead |
| 30 = 30µ" Gold | 100µ" Tin Lead |

SHELL PLATING
.000050 nickel underplate
1 = Tin Plating (standard)
2 = Yellow Chromate

INSULATOR COLOR
1 = Black (Standard)
2 = White
3 = Blue