



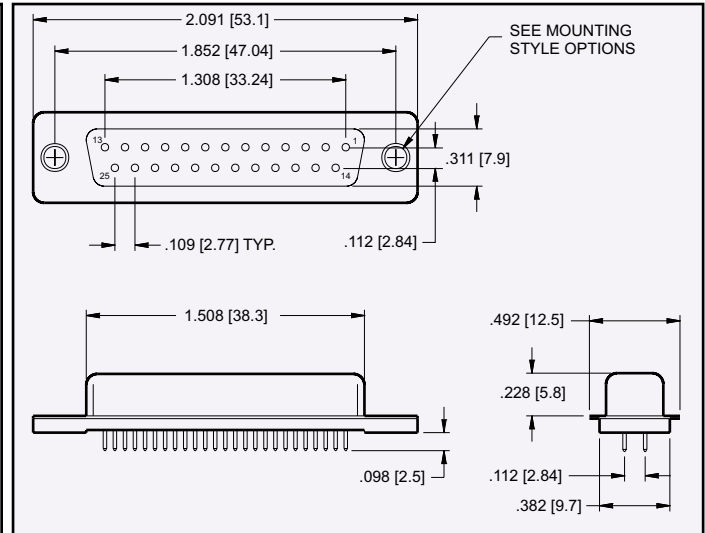
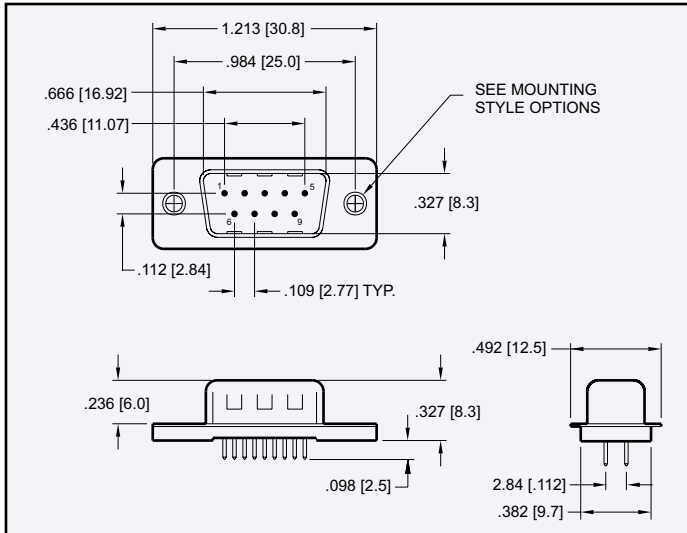
# 8000 Series D-Subminiature Low Profile Straight Dip Solder



**PLUG**

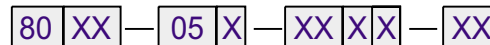


**RECEPTACLE**



Dimensions are in inches [mm]

## PART NUMBERING



**SERIES CODE**  
Low Profile Straight Dip Solder

**NO. OF CONTACTS**  
09 = Plug  
25 = Receptacle

**CONNECTOR TYPE**  
P = Plug  
S = Receptacle

**MOUNTING STYLE OPTIONS**  
See Page E-05 For Options  
00 = .120 dia. Thru Holes  
02 = #4-40 Threaded Insert  
Consult Factory for other Mounting Options

**CONTACT PLATING**  
50 $\mu$ " Nickel Underplate  
**Mating Area**      **Tail**  
05 = Au Flash      100 $\mu$ " Tin Lead  
20 = 15 $\mu$ " Gold      100 $\mu$ " Tin Lead  
30 = 30 $\mu$ " Gold      100 $\mu$ " Tin Lead

**SHELL PLATING**  
50 $\mu$ " Nickel Underplate  
1 = Tin Plating (standard)

**INSULATOR COLOR**  
1 = Black (Standard)