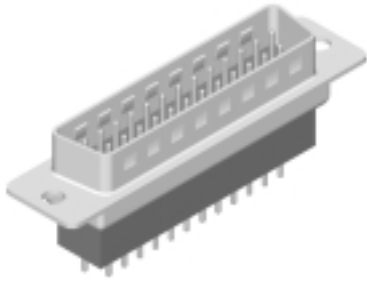
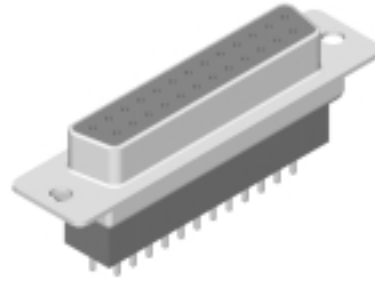




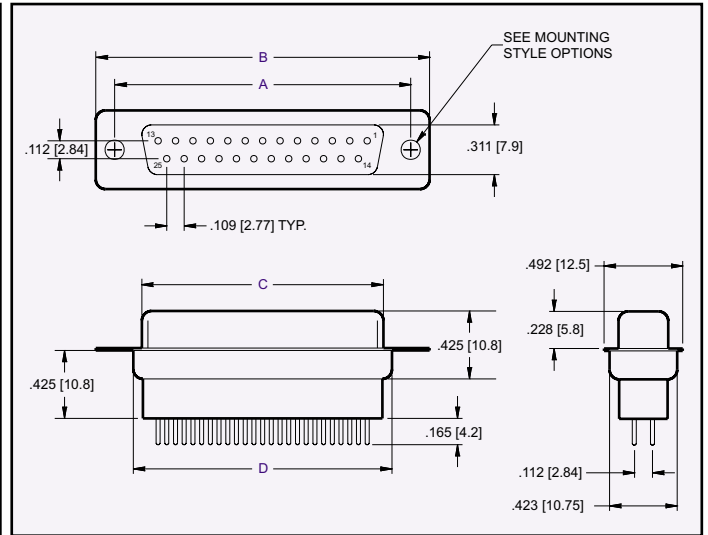
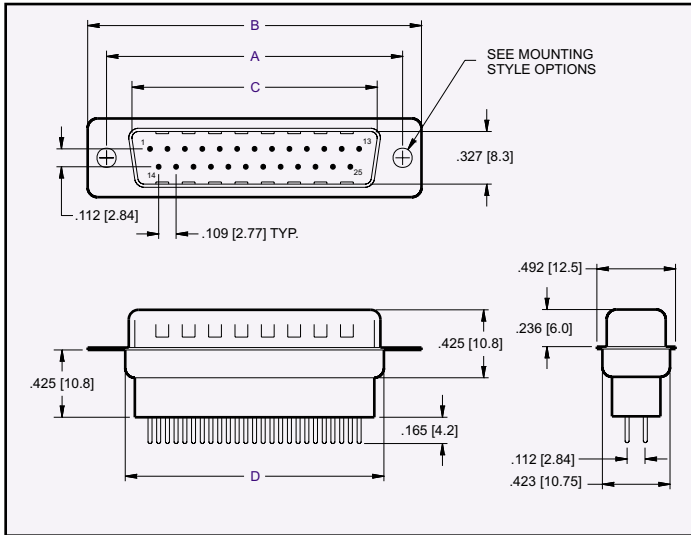
8000 Series D-Subminiature High Profile Straight Dip Solder



PLUG



RECEPTACLE



PLUG

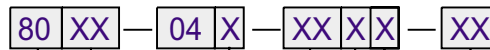
CONTACTS	A	B	C	D
09	0.984 [25.00]	1.213 [30.80]	0.666 [16.92]	0.756 [19.20]
15	1.312 [33.32]	1.543 [39.20]	0.994 [25.25]	1.091 [27.70]
25	1.852 [47.04]	2.091 [53.10]	1.534 [38.96]	1.618 [41.10]
37	2.500 [63.50]	2.732 [69.40]	2.182 [55.42]	2.256 [57.30]

RECEPTACLE

CONTACTS	A	B	C	D
09	0.984 [25.00]	1.213 [30.80]	0.642 [16.30]	0.756 [19.20]
15	1.312 [33.32]	1.543 [39.20]	0.969 [24.60]	1.091 [27.70]
25	1.852 [47.04]	2.091 [53.10]	1.508 [38.30]	1.618 [41.10]
37	2.500 [63.50]	2.732 [69.40]	2.157 [54.80]	2.256 [57.30]

Dimensions are in inches [mm]

PART NUMBERING



SERIES CODE

NO. OF CONTACTS

09, 15, 25, 37

CONNECTOR TYPE

P = Plug
S = Receptacle

MOUNTING STYLE OPTIONS

See Page E-05 For Options

- 01 = .120 Riveted Front and Rear Shell
 - 04 = Riveted #4-40 UNC Open Nut on Rear Shell
 - 05 = Riveted #4-40 UNC Closed Nut on Front Shell
 - 06 = Riveted #4-40 UNC Open Nut on Front Shell
 - 12 = Riveted #4-40 UNC Close Ground Stand Off on Rear Shell
- Consult Factory for other Mounting Options

CONTACT PLATING

50µ" Nickel Underplate

Mating Area

Tail

- 05 = Au Flash 100µ" Tin Lead
- 20 = 15µ" Gold 100µ" Tin Lead
- 30 = 30µ" Gold 100µ" Tin Lead

SHELL PLATING

50µ" Nickel Underplate

- 1 = Tin Plating (standard)
- 2 = Yellow Chromate

INSULATOR COLOR

1 = Black (Standard)