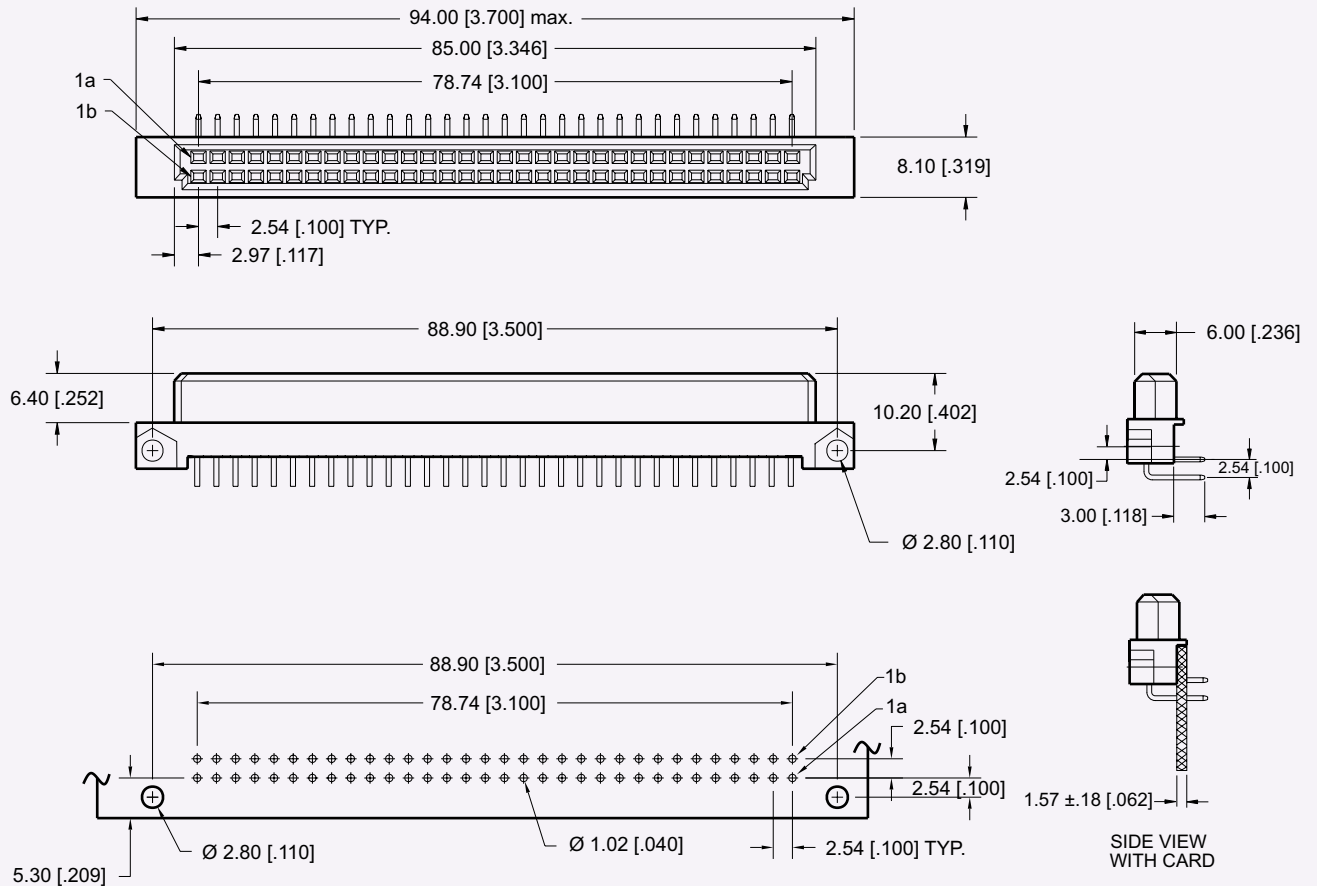




DIN 41612

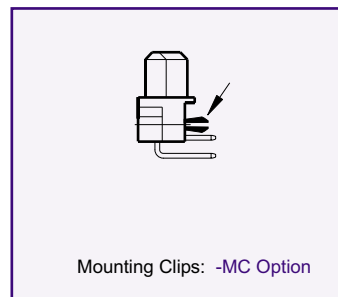
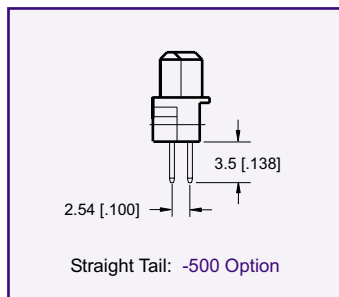
Type Q, Q/2 Female Connectors

Type Q, 64 Positions

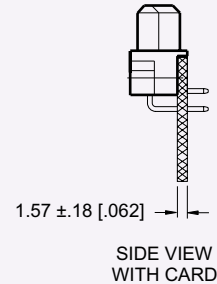
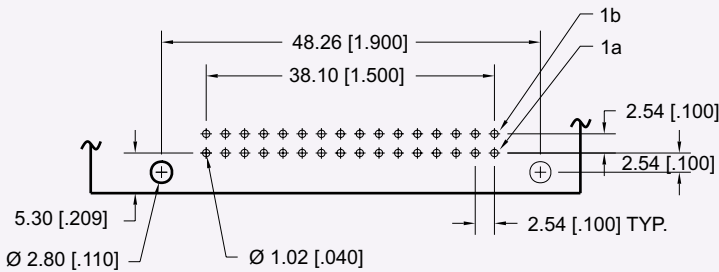
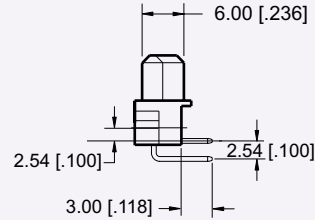
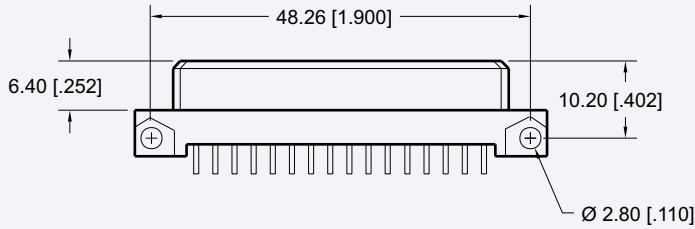
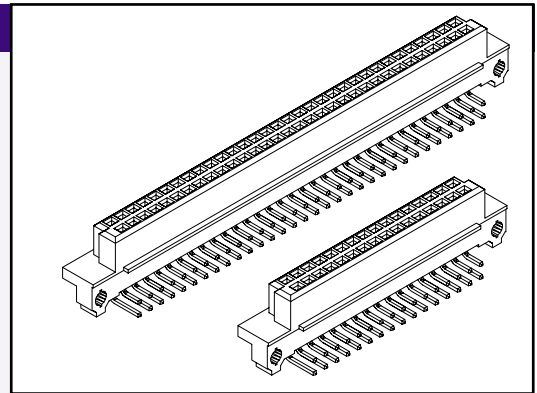
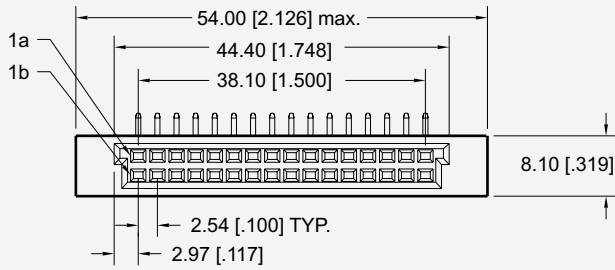


Recommended P. C. Board Layout

Dimensions are in mm [inches]



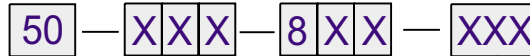
Type Q/2, 32 Positions



Recommended P. C. Board Layout

Dimensions are in mm [inches]

PART NUMBERING



SERIES CODE
DIN 41612 Female Type Q, Q/2

BODY STYLE
1 = Q/2 (32 positions)
2 = Q (64 positions)

NUMBER OF CONTACTS
1 = 16
2 = 32
3 = 64

CONTACT LOADING
1 = Row A and B fully populated
2 = Row A fully populated, Row B not populated
3 = Row B fully populated, Row A not populated
Consult Factory for other Loading Options

MC = Mounting Clips
Blank = No Mounting Clip
500 = Straight Tail

TAIL PLATING
1 = Tin Lead

MATING AREA PLATING
1 = Class 1
2 = Class 2
3 = Class 3

CONSULT FACTORY FOR CONNECTORS BUILT TO YOUR DESIGN