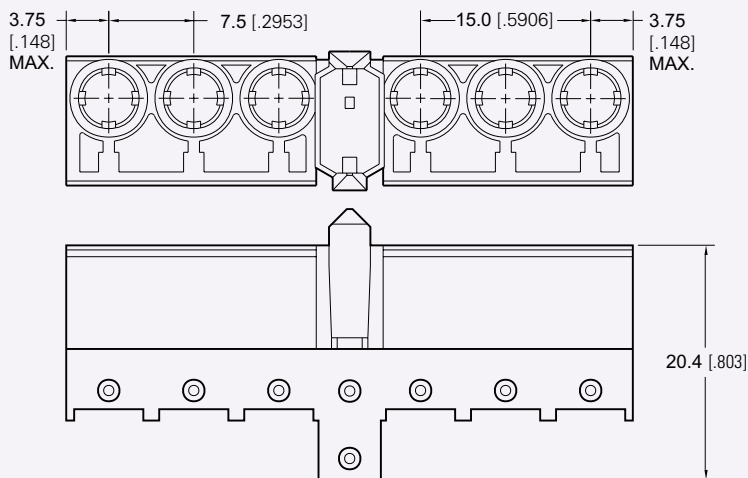




€-Z met™ 2mm HM

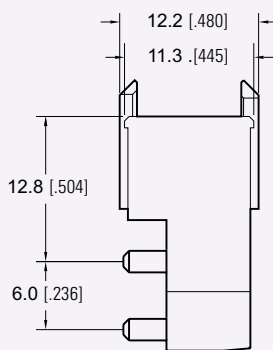
Type L and N Receptacle, Right Angle

Consult factory for power and coax contact information.

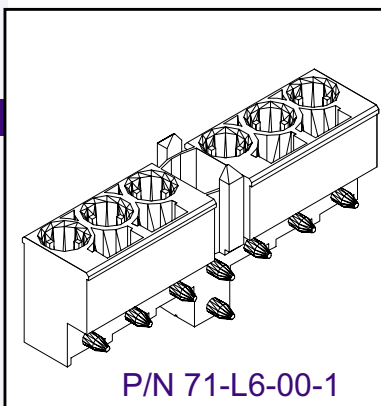
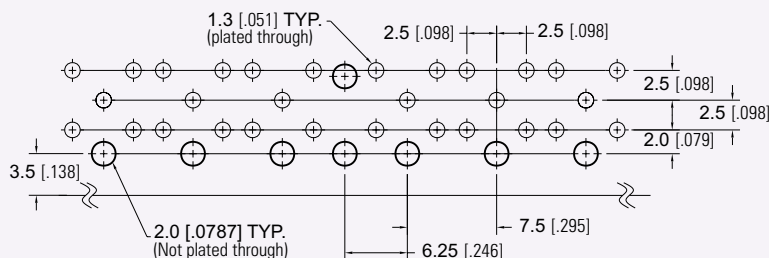


Dimensions are in mm [inch]

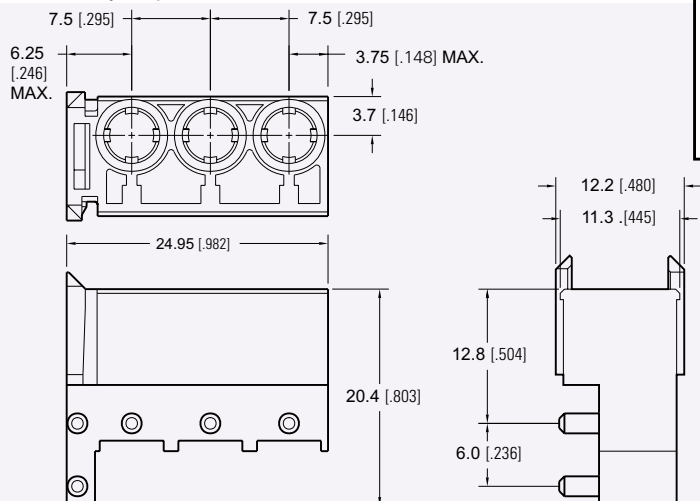
The €-Z met™ type L daughtercard connector provides six special cavities designed for use with power or coaxial contacts. This connector also features a multifunction cavity for coding and pre alignment guides to prevent improper mating. The Type L connector can be used by itself or in combination with any Type A, B, C, M or N €-Z met™ connector. For Coaxial, High Power, and High Current Contacts, see pages C-40 through C-47.



PC BOARD LAYOUT



Consult factory for power and coax contact information.



The €-Z met™ Type N daughterboard connector provides 3 special cavities designed for us with power or coaxial contacts. The Type N connector is not designed to be used by itself, but can be combined with any Type A, B, L, or M €-Z met™ connector. For Coaxial, High Power, and High Current Contacts, see pages C-40 through C-47.

PC BOARD LAYOUT

