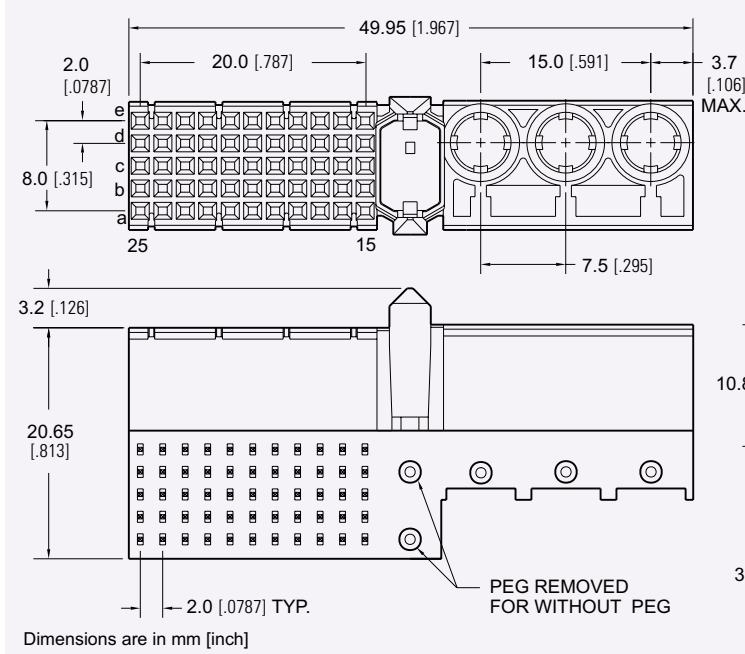


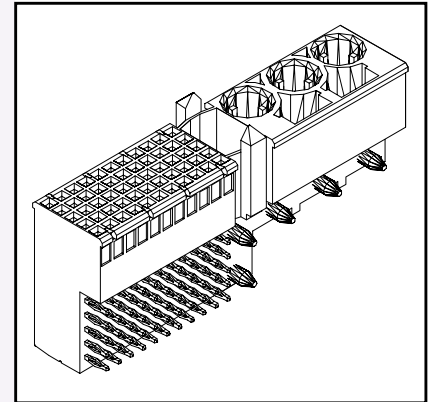
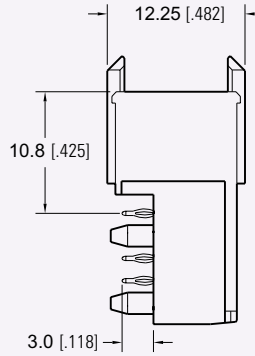


€-Z met™ 2mm HM Type M-25 Receptacle, Right Angle

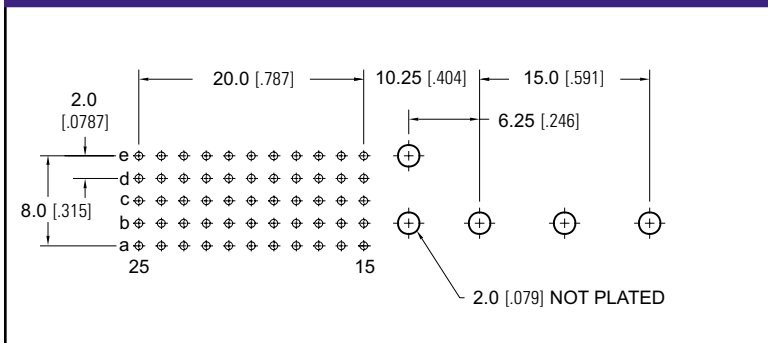
Consult factory for power and coax contact information.



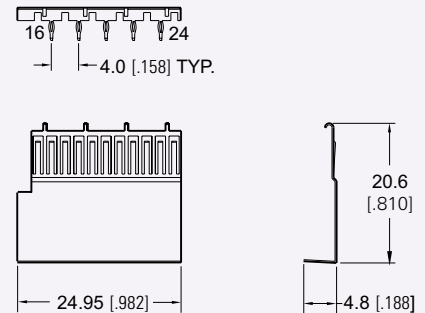
The €-Z met™ Type M daughtercard connector provides 55 contacts and three special cavities designed for use with power or coaxial contacts. This connector also features a multifunction cavity for coding and pre alignment guides to prevent improper mating. These connectors are available either with or without integrated upper ground return shields. Lower ground return shield may be ordered separately. For Coaxial, High Power, and High Current Contacts, see pages C-40 through C-47.



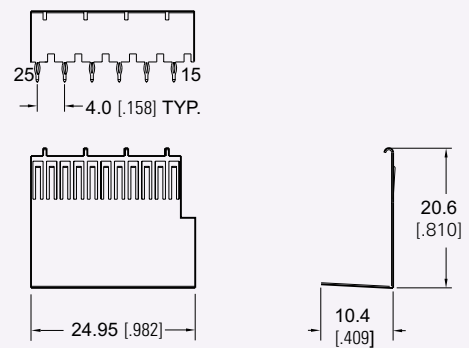
BOARD LAYOUT



Lower Shield P/N 71-M25-01



Upper Shield P/N 71-M25-10



PART NUMBERING

