

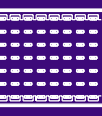
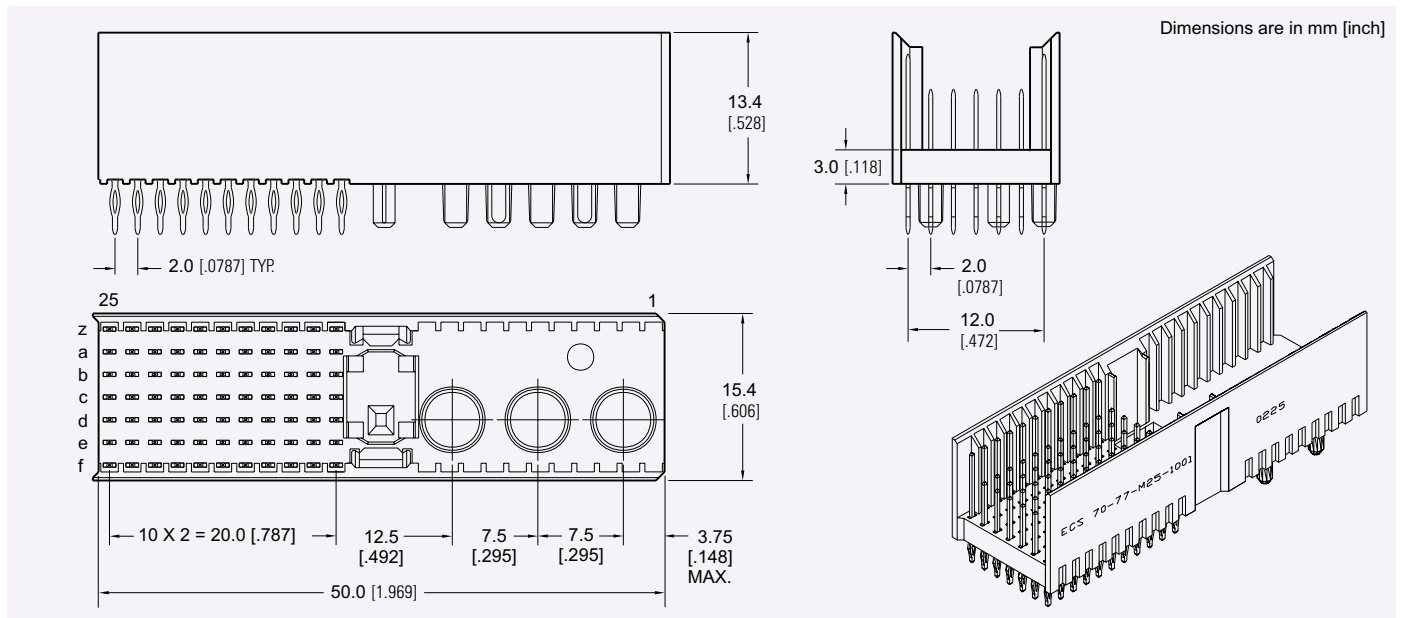


€-Z met™ 2mm HM Type M Header, Straight

Type M, Vertical Male 77 Pin Connector

The €-Z met™ Type M, vertical male connector provides 55 signal contacts and an optional 22 ground shield contacts. This connector also features 3 multi-purpose locations for use with high power or coax contacts, as well as a multi-function cavity for coding. For Coaxial, High Power, and High Current Contacts, see pages C-40 through C-47.

Identification	Number of Contacts	Contact Mating Side	Termination Side	Part Number	Contact Configuration
Type M	55	9.7 [.382]	3.7 [.146]	70-55-M25-1001	



€-Z met™ 2 mm HM
Type L and N Header, Straight

