

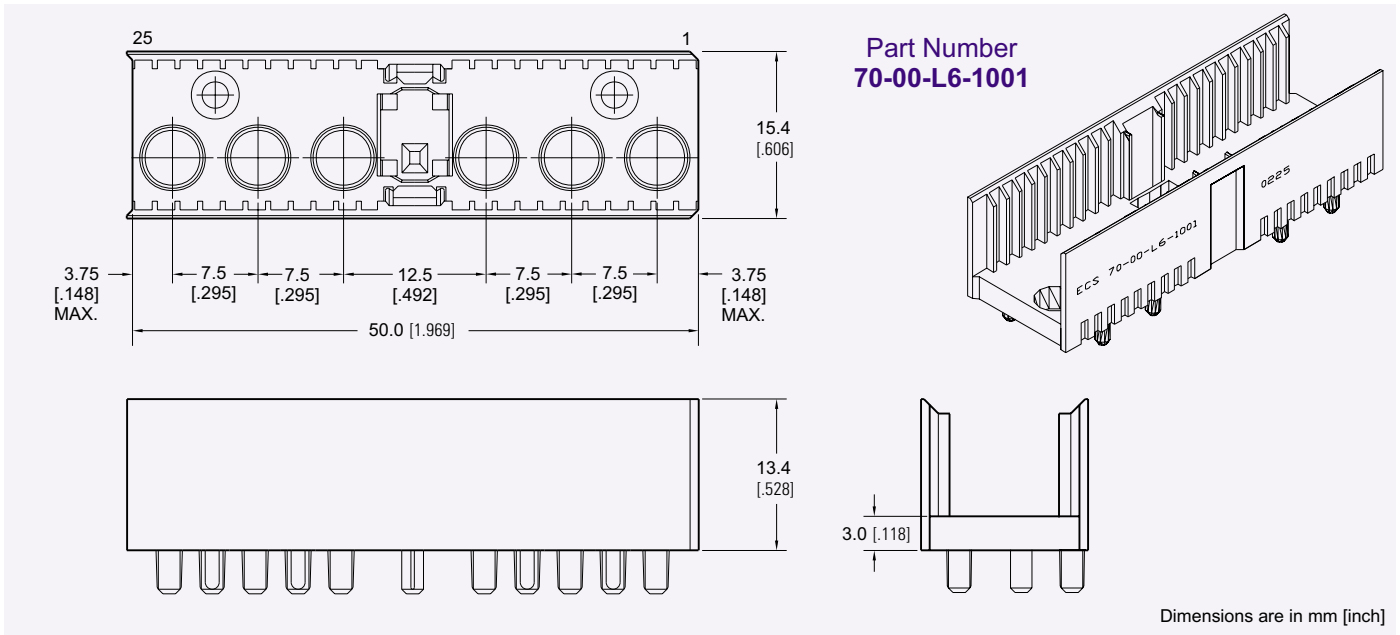


€-Z met™ 2mm HM

Type L and N Header, Straight

Type L, Vertical Male

The €-Z met™ Type L, vertical male connector provides the user with 6 multi-purpose cavities for use with high power or coax contacts. This connector also features an additional multi-function cavity for coding. For Coaxial, High Power, and High Current Contacts, see pages C-40 through C-47.



Type N, Vertical Male

The €-Z met™ Type N, vertical male connector provides the user with 3 multi-purpose cavities for use with high power or coax contacts. For Coaxial, High Power, and High Current Contacts, see pages C-40 through C-47.

