

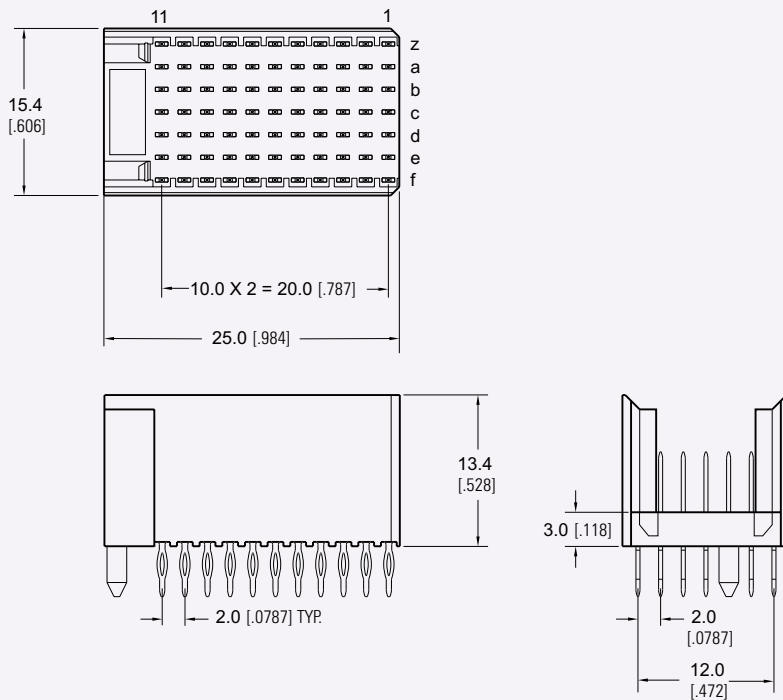
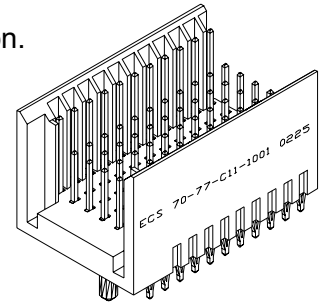


# €-Z met™ 2mm HM Type C-11 Header, Straight

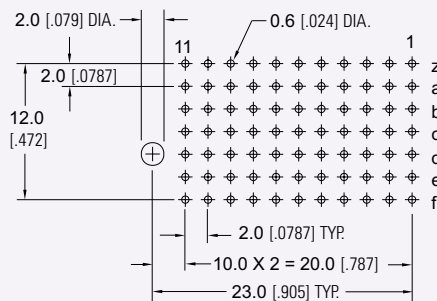
## Type C-11, Vertical Male 55 Pin Connector

The €-Z met™ type C-11 vertical male connector provides 55 signal contacts and an additional 22 ground shield contacts in a 5+2, 11 position configuration. The C-11 connector is polarized and is designed for use at the bottom end of the column of connectors on the backplane.

ECS offers 15 different standard tail lengths to choose from to provide various premate and midplane configurations. Contacts can be selectively loaded to accommodate customer specific applications. Custom tail lengths and mold configurations are also available. For non standard loading, or custom applications please refer to the fax request form on page D-35.

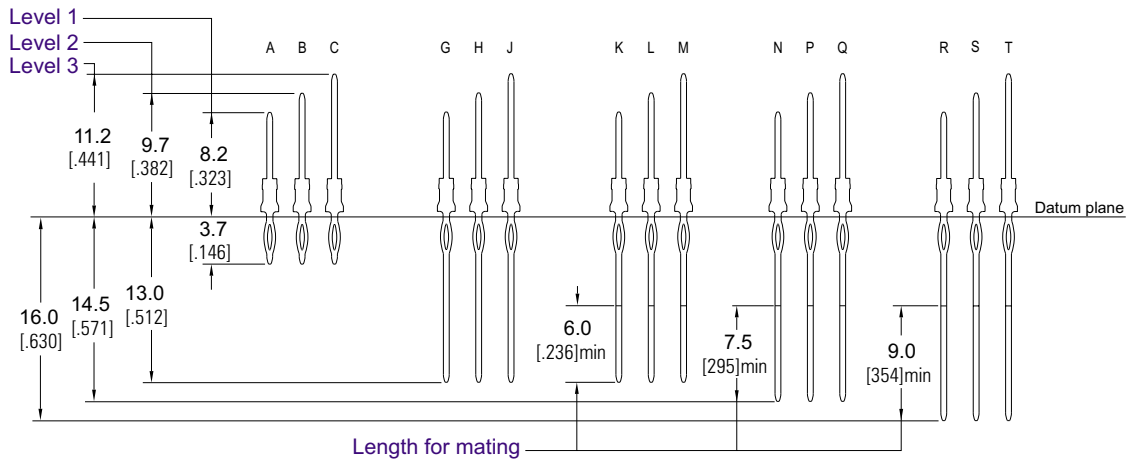


## BOARD LAYOUT



Identification	Number of Contacts	Contact Mating Side	Termination Side	Part Number	Contact Configuration
Type C	55	8.2 [.323]	3.7 [.146]	70-55-C11-1001	
Type C	77	8.2 [.323] 11.2 [.441]	3.7 [.146]	70-77-C11-1001	
Type C	55	9.7 [.382]	3.7 [.146]	70-55-C11-1101	
Type C	77	9.7 [.382] 11.2 [.441]	3.7 [.146]	70-77-C11-1101	
Type C	55	8.2 [.323]	13.0 [.512]	70-55-C11-1201 <b>70-55-C11-2201</b>	
Type C	77	8.2 [.323] 11.2 [.441]	3.7 [.146] 13.0 [.512]	70-77-C11-1201 <b>70-77-C11-2201</b>	

**Bold part numbers are for Level 2 plating.**



CONSULT FACTORY FOR CUSTOM CONNECTORS BUILT TO YOUR SPECIFICATION