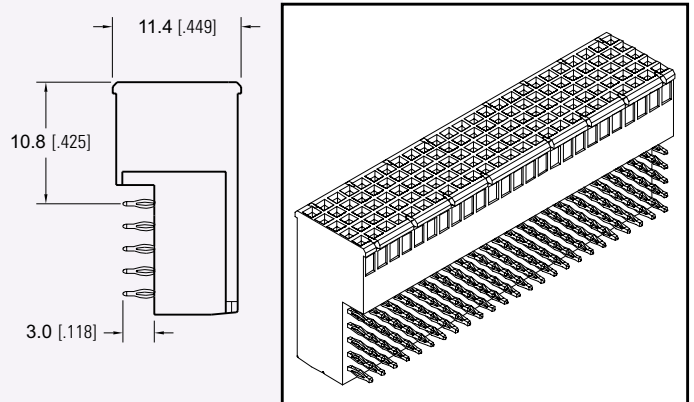
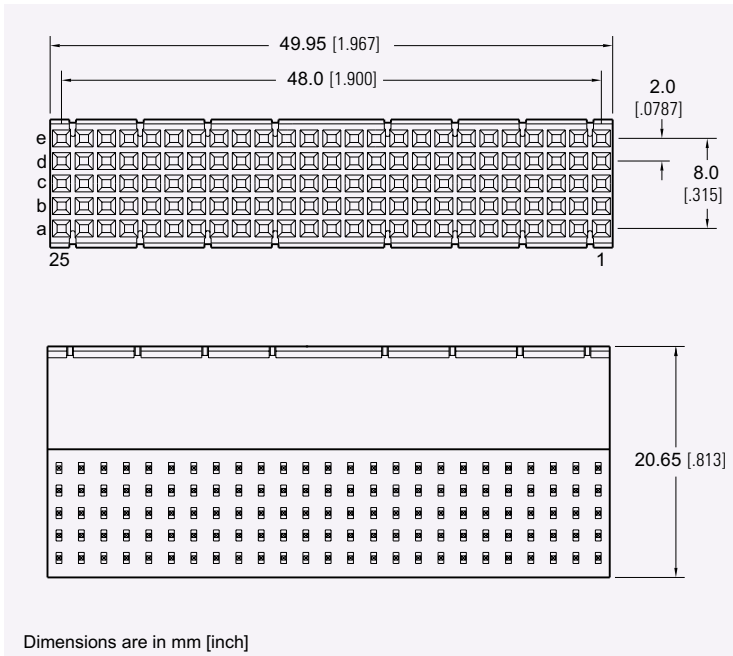




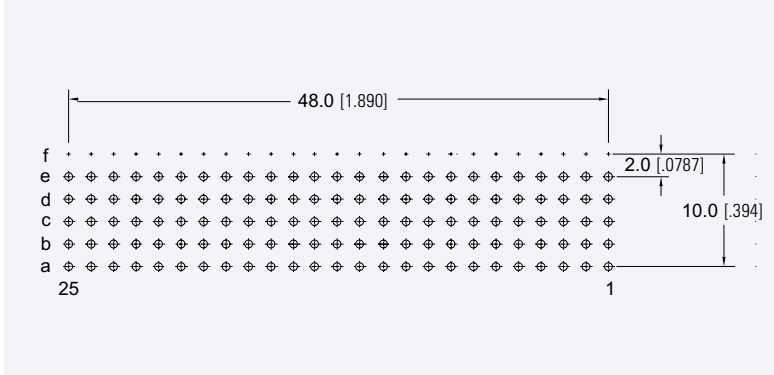
€-Z met™ 2mm HM Type B-25 Receptacle, Right Angle

The €-Z met™ Type B-25 female connector provides 125 contacts. These connectors are available either with or without integrated upper ground return shields. Lower ground return shields may be ordered separately.

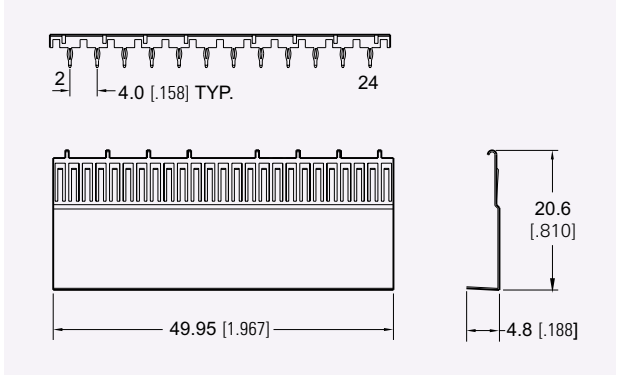
The Type B-25 connector is not designed to be used alone, but may be used together with either a Type A, C, L, M or N €-Z met™ connector.



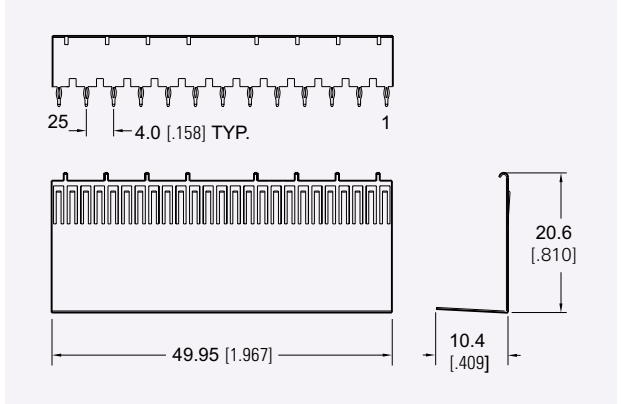
BOARD LAYOUT



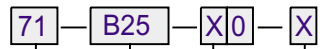
Lower Shield P/N 71-B25-01



Upper Shield P/N 71-B25-10



PART NUMBERING



SERIES CODE
2mm Hard Metric Female

TYPE
B25

UPPER SHIELD
0 = Without Upper Shield
1 = With Upper Shield

CONTACT LOADING

- 1 = A, B, C, D, E
- 2 = A, B, C, D
- 3 = A, B, C
- 4 = A, D, E
- 5 = B, D