

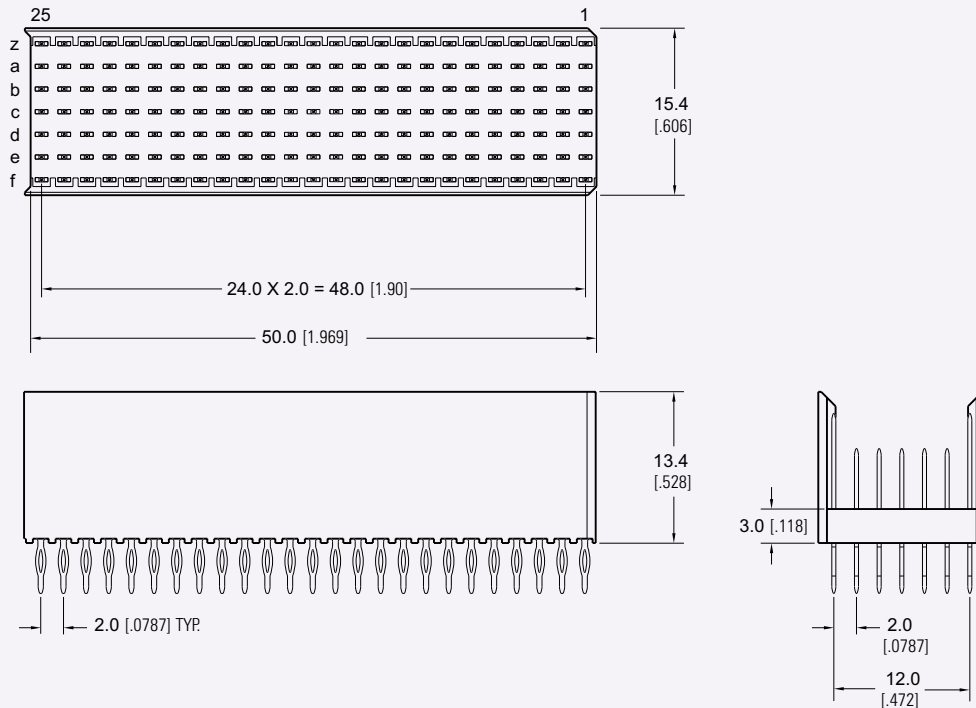
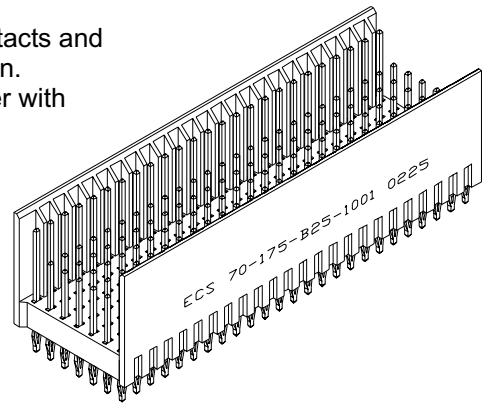


€-Z met™ 2mm HM Type B-25 Header, Straight

Type B-25, Vertical Male 125 Pin Connector

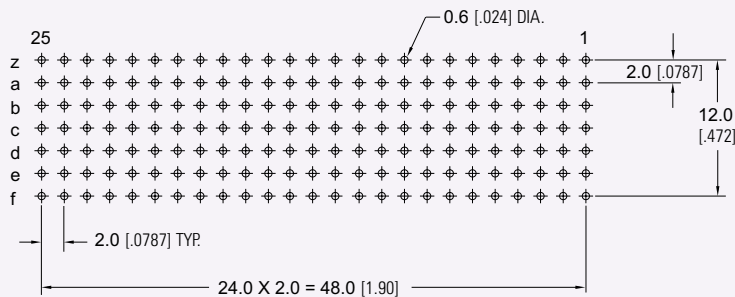
The €-Z met™ type B-25 vertical male connector provides 125 signal contacts and an additional 50 ground shield contacts in a 5+2, 25 position configuration. This module is not designed to be used alone, but can be used together with either a type A, C, L, M or N €-Z met™ connector.

ECS offers 15 different standard tail lengths to choose from to provide various pre-mate and midplane configurations. Contacts can be selectively loaded to accommodate customer specific applications. Custom tail lengths and mold configurations are also available. For non standard loading, or custom applications please refer to the fax request form on page D-35.



Dimensions are in mm [inch]

BOARD LAYOUT



Identification	Number of Contacts	Contact Mating Side	Termination Side	Part Number	Contact Configuration
Type B	125	8.2 [.323]	3.7 [.146]	70-125-B25-1001	
Type B	175	8.2 [.323] 11.2 [.441]	3.7 [.146]	70-175-B25-1001	
Type B	175	8.2 [.323] 9.7 [.382] 11.2 [.441]	3.7 [.146]	70-175-B25-1101	
Type B	175	9.7 [.382] 11.2 [.441]	3.7 [.146]	70-175-B25-1201	
Type B	125	9.7 [.382]	3.7 [.146]	70-125-B25-1101	

