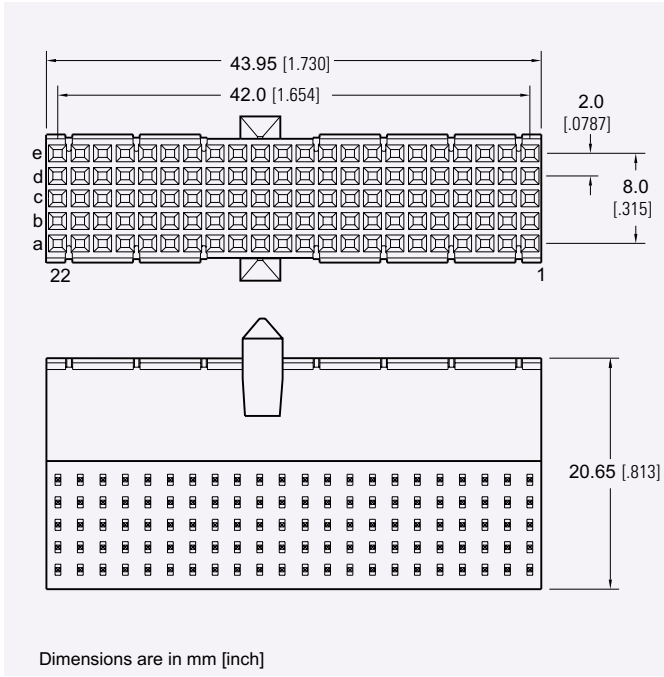


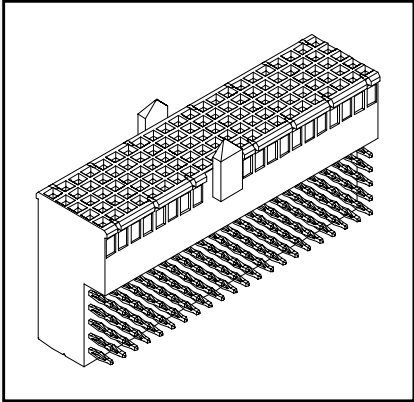
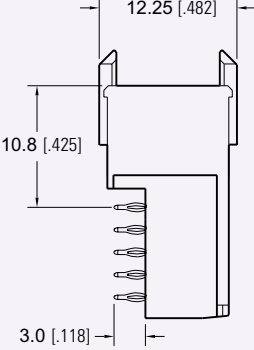


€-Z met™ 2mm HM Type AB-22 Receptacle, Right Angle

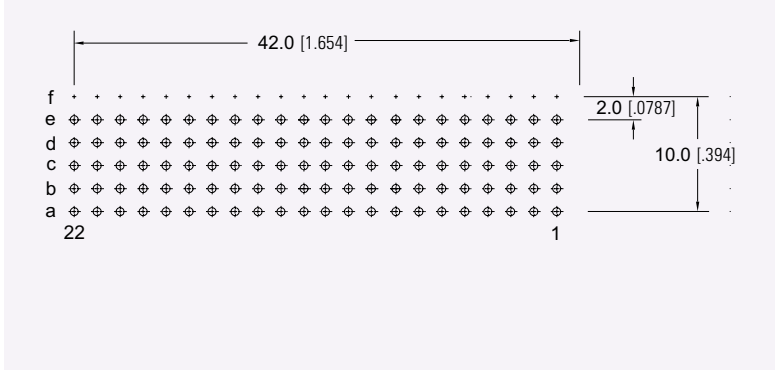


The €-Z met™ Type AB-22 connector provides 110 contacts as well as integrated pre-alignment guides. These connectors are available either with or without integrated upper ground return shields. Lower ground return shields may be ordered separately.

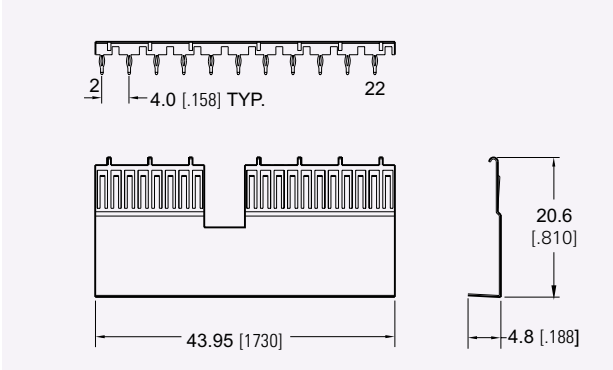
The Type AB-22 connector is used in the rJ2 and rJ3 positions on Compact PCI® Daughtercard. This connector can be used by itself or in combination with any Type A, B, C, L, M and N €-Z met™ connector.



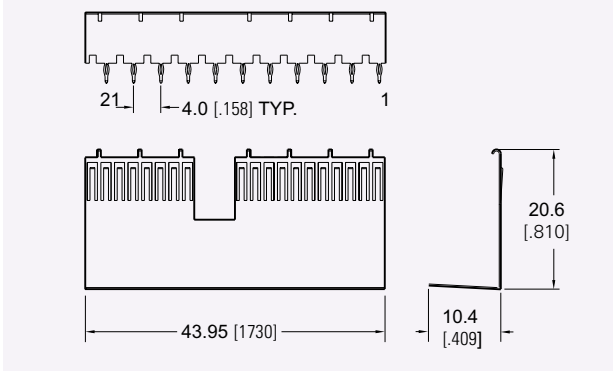
BOARD LAYOUT



Lower Shield P/N 71-AB22-01



Upper Shield P/N 71-AB22-10



PART NUMBERING

