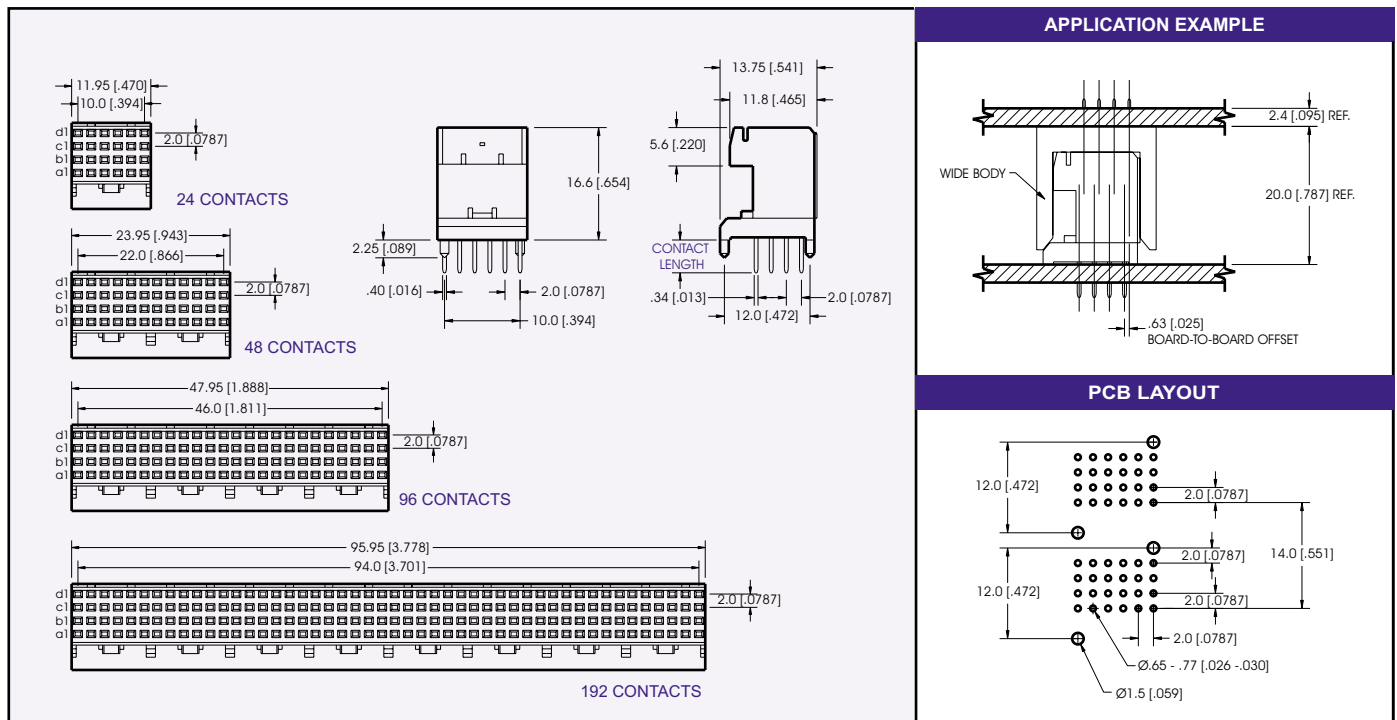
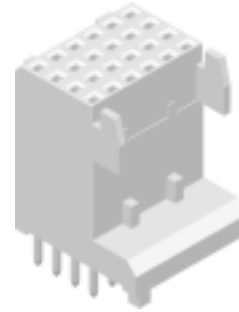




# 7300 Series Futurebus 4 Row Vertical Female 16.6mm Height

## Specifications

Insulator Material: Liquid Crystal Polymer (LCP)  
 94V-O, UL Recognized.  
 Contact Material: Phosphor Bronze  
 Contact Plating: Gold and Tin over .000050" Ni  
 (See contact plating options)  
 Insulation Resistance: 1000 M ohms min.  
 Contact Resistance: 30 m ohms max.  
 Dielectric Withstand Voltage: 1000 VAC  
 Current Rating: 1 AMP  
 Operating Temperature: -65°C To +125°C  
 UL File Numbers: E146967 & E176234



DIMENSIONS ARE IN MM & [INCHES]

## PART NUMBERING

